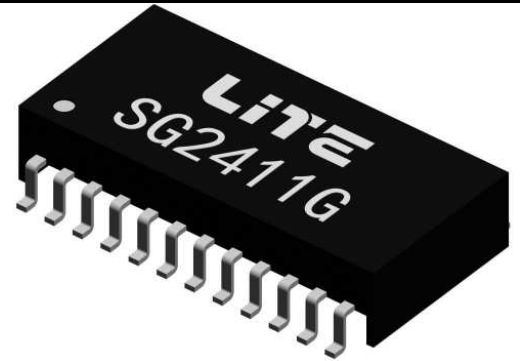


**1000 BASE PULSE TRANSFORMER**  
**P/N: SG2411G DATA SHEET**

**Features**

- ◆ Designed for long haul gigabit Ethernet 1000 BASE-T, full duplex applications. Supports 4 pairs of category 5 UTP cable.
- ◆ Cable interface for isolation and low common mode emissions.
- ◆ Comply with RoHS & Halogen Free requirements.
- ◆ Compliant with IEEE 802.3ab standard for 1000 BASE-T.
- ◆ Operating temperature range: 0°C to +70°C.
- ◆ Storage temperature range: -25°C to +125°C.



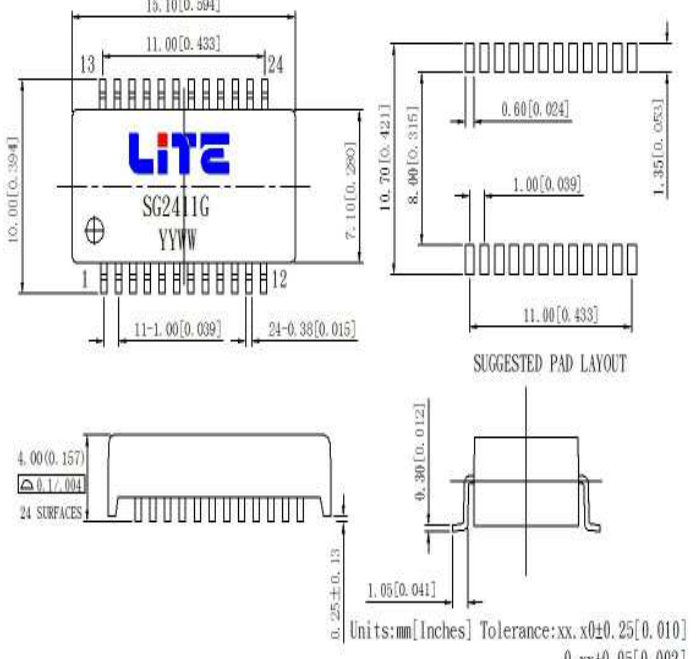
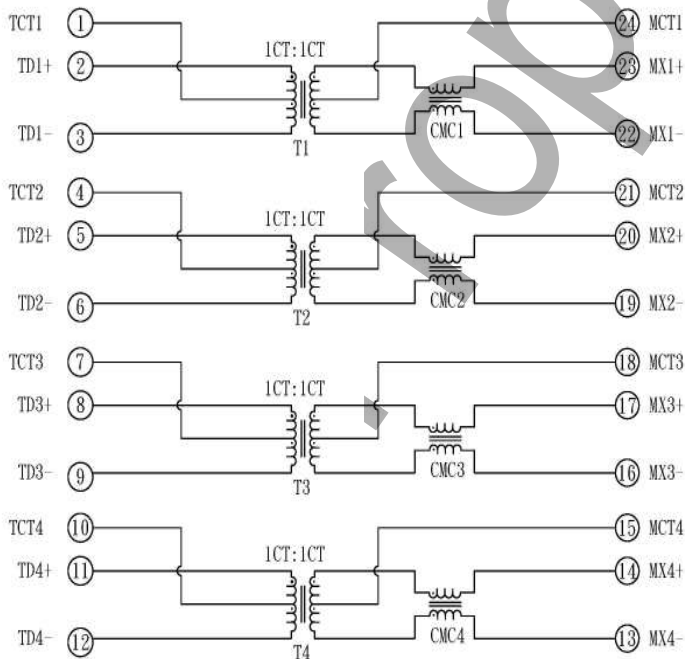
**SPEC Electrical Specifications @ 25°C**

Part Number	Turns Ratio (±5%)		OCL (uH Min) @ 100KHz/0.1V with 8mA DC Bias	Cross talk (dB Min)			HI-POT (Vrms)
	TX	RX		30MHz	60MHz	80-100MHz	
SG2411G	1CT:1	1CT:1CT	350	-45	-40	-35	1500

**Continue**

Part Number	Insertion Loss (dB Max)	Return Loss (dB Min)					DCMR (dB Min)		
		1-100MHz	1-30MHz	40MHz	50MHz	60-80MHz	100MHz	30MHz	60MHz
SG2411G	-1.0	-18	-14.4	-13.1	-12	-10	-43	-35	-33

**Schematic Mechanical**



核准： 审核： 製作：田镇东  
 Rev. A0