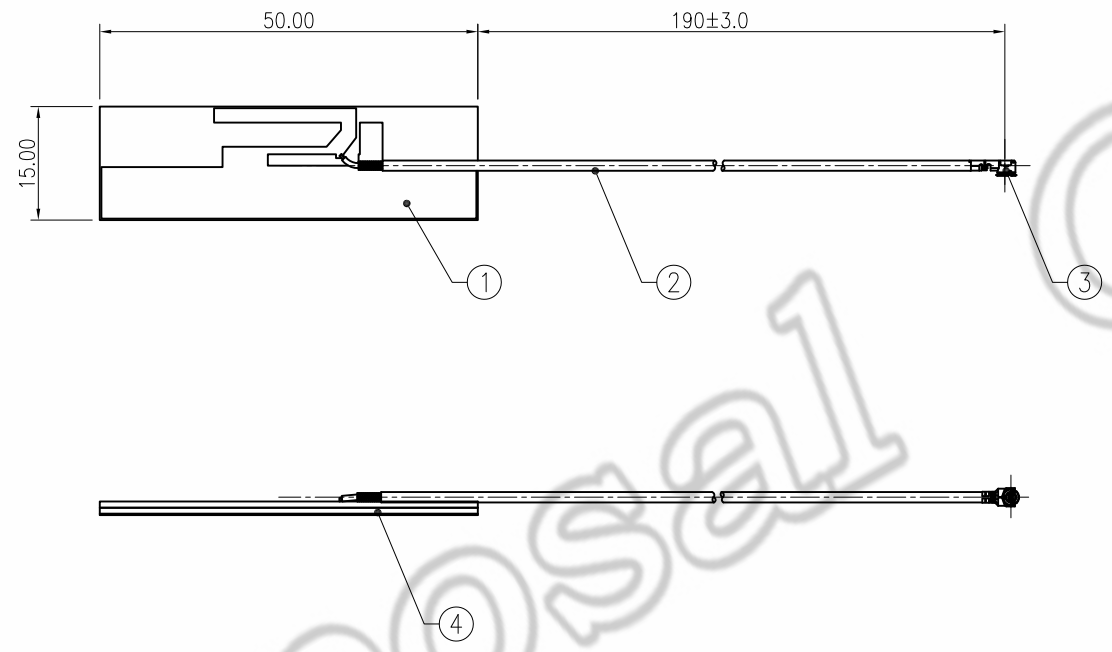


REV.	FILE No.	DRAWN BY	DATE
X1	TPRFQA11113	JASON.SHAW	2012.01.11



4	DOUBLE ADHESIVE	G9000;L50*15*1MM	1	N/A
3	RF CONNecotr	MHF PLUG FOR 1.13CABLE,I-PEX	1	N/A
2	RF CABLE	1.13CABLE,BLACK,L210mm,HANNSTAR	1	N/A
1	PCB	FR-4,T:0.8mm+/-10%,	1	N/A
ITEM	PART NAME	DESCRIPTION	Q'TY	REMARK

DWG TYPE: CUSTOMER DRAWING

LITE Liteconn Co., Ltd.

GENERAL TOLERANCE: UNLESS OTHERWISE SPECIFIED

APPD: TITLE: RF ANTENNA ASSEMBLY
PCB+1.13CABLE,BLACK,L210mm+MHF PLUG

X.X ±0.35 X.X* ±3'

X.XX ±0.25 X.XX* ±2'

CHECK: DWG No.:

X.XXX ±0.15 X.XXX* ±1'

DRAW: JASON.SHAW DATE: 2012.01.11 SCALE: 1:1 UNIT: mm PAGE: 1/1

COPIANCE WITH THE REQUIEMENT: RoHS; HF; SONY SS-00259; OTHER.
*NO USING RESTRICTED AND BANNED SUBSTANCE