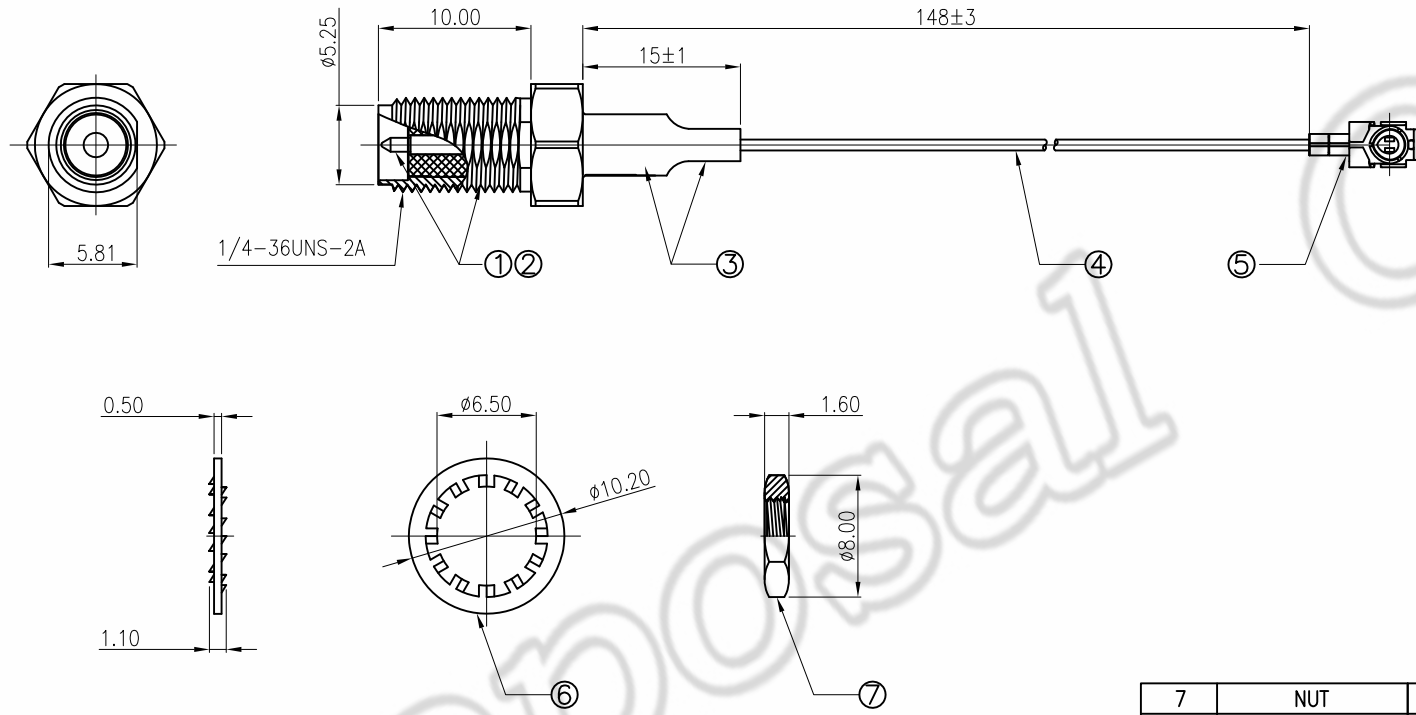


REV.	FILE No.	DRAWN BY	DATE
A0	RFQ:L120511-03	ZENGPAN	11.07.25

TECHNICAL SPECIFICATIONS
 IMPEDANCE 50 ohm
 FREQUENCY RANGE 0~3GHz
 WITHSTAND VOLTAGE 200V MIN
 CONTACT RESISTANCE
 CENTER CONTACT 20m ohm MAX
 OUTER CONTACT 10m ohm MAX
 INSULATION RESISTANCE 500M ohm MIN
 VSWR 2.00 MAX
 SMA MATING 500CYCLES MIN
 MHF PLUG MATING 30CYCLES MIN



7	NUT	C3604,H1.60XW8.00X05.70(1/4-36UNC-2B)	1	N/A
6	WASHER	C3604,φ10.2Xφ6.5XT0.50mm	1	N/A
5	1.37 I-PEX	PHOSPHOR BRASS,L11.4X2.69X3.22	1	N/A
4	CABLE	OD1.37CABLE,WHITE	1	N/A
3	HEAT-SHRINK TUBE	EVA,φ3.5XL15.0mm, BLACK	1	N/A
2	SMA JACK	C3604,L16.9Xφ3.9X8.0(1/4-36UNS-2A)	1	N/A
1	CENTER PIN	C3604,φ1.5XL11.4mm	1	N/A
No.	PART NUMBER	DESCRIPTION	Q'TY	REMARK

DWG TYPE:		PRODUCT		Liteconn Co.,Ltd.		
GENERAL TOLERANCE: UNLESS OTHERWISE SPECIFIED				TITLE: RF CABLE ASSEMBLY SMA J/R 180° FOR OD1.37 CABLE TO MHF BLUG		
X.X	±0.35	X.X*	±3*	APPD:	DWG No.: 510411-0040-32R	
X.XX	±0.25	X.XX*	±2*	CHECK:		
X.XXX	±0.15	X.XXX*	±1*	DRAW:	DATE: 2011.07.25	
				SCALE:	UNIT:	PAGE:
				2:1	mm	1/1

COPIANCE WITH THE REQUIEMENT: RoHS; HF; SONY SS-00259; OTHER.
 *NO USING RESTRICTED AND BANNED SUBSTANCE