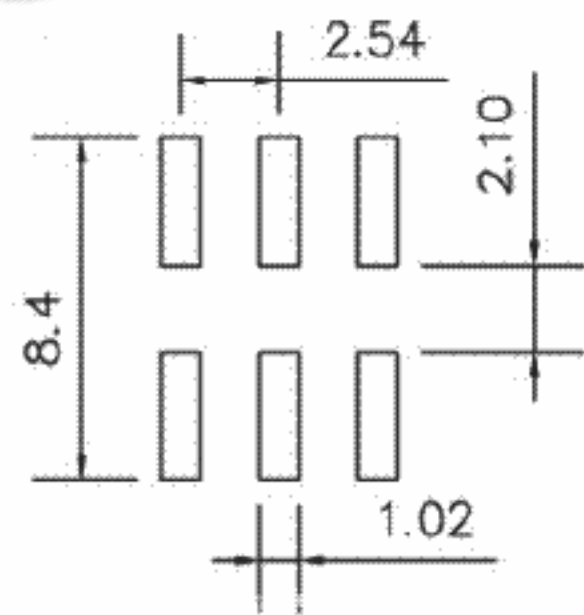
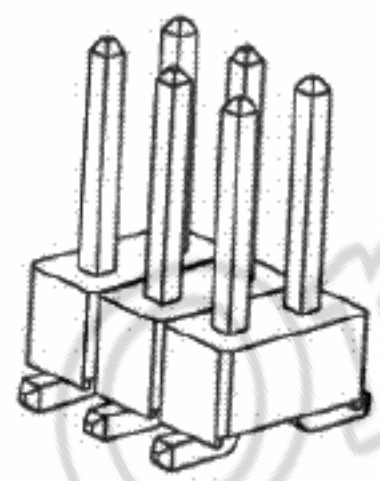
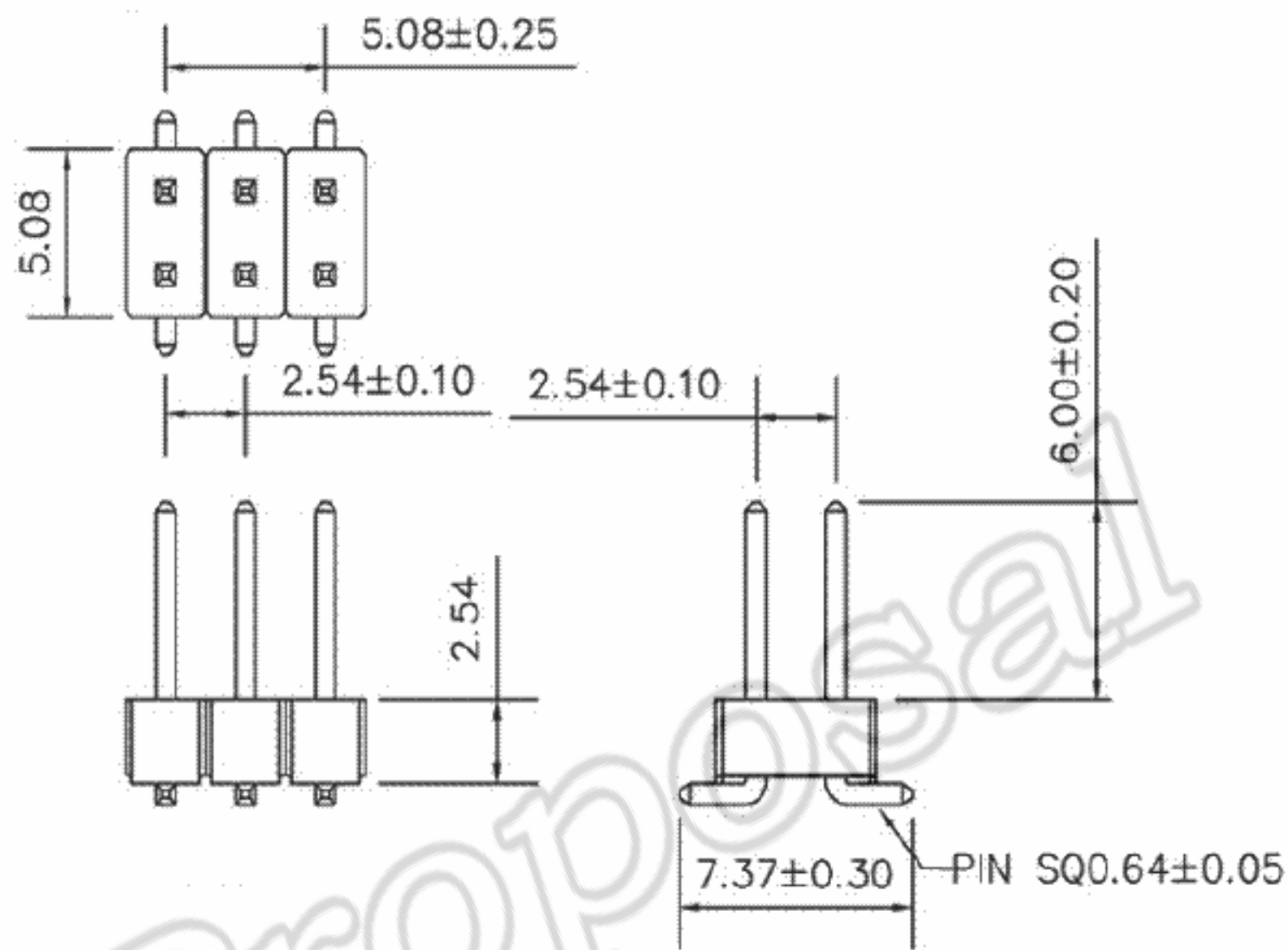


REV	ECN.NO:	BY	DATE
A0	NEW DWG	-	10.06.08



SPECIFICATIONS:
 Current Rating: 3AMP
 Insulation Resistance: 1000MΩ Min
 Dielectric Withstanding: AC 500V
 Operating Temperature: -40°C to +105°C
 Materials
 Contact Material: copper Alloy
 and PLATING GOLD FLASH
 Insulation Material: polyester. UL94-0 PA-6T
 Color: black
 Retention force $\geq 1.0\text{Kg/PIN}$

COPLIANCE WITH THE REQUIREMENT RoHS HF SONY00259 OTHER
 * NO USING RESTRICTED AND BANNED SUBSTANCE

CUSTOMER DRAWING		LITE Liteconn Co.,Ltd.	
-TOLERANCES- UNLESS OTHERWISE SPECIFIED		TITLE: 2.54MM HEADER DUAL ROW SMT	
X.X ±0.35	X.X' ±3'	APPD: -	DWG NO: 212303-0100-16R
X.XX ±0.25	X.XX' ±2'	CHECK: -	DATE: 2010.06.08
X.XXX ±0.15	X.XXX' ±1'	DRAW: -	SCALE: 1:1
			UNIT: MM
			PAGE: 1/1