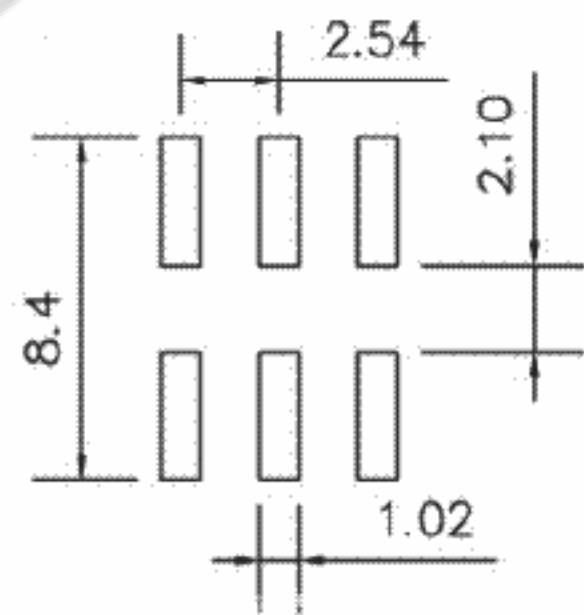
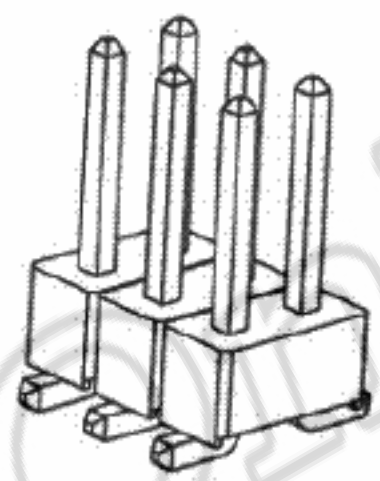
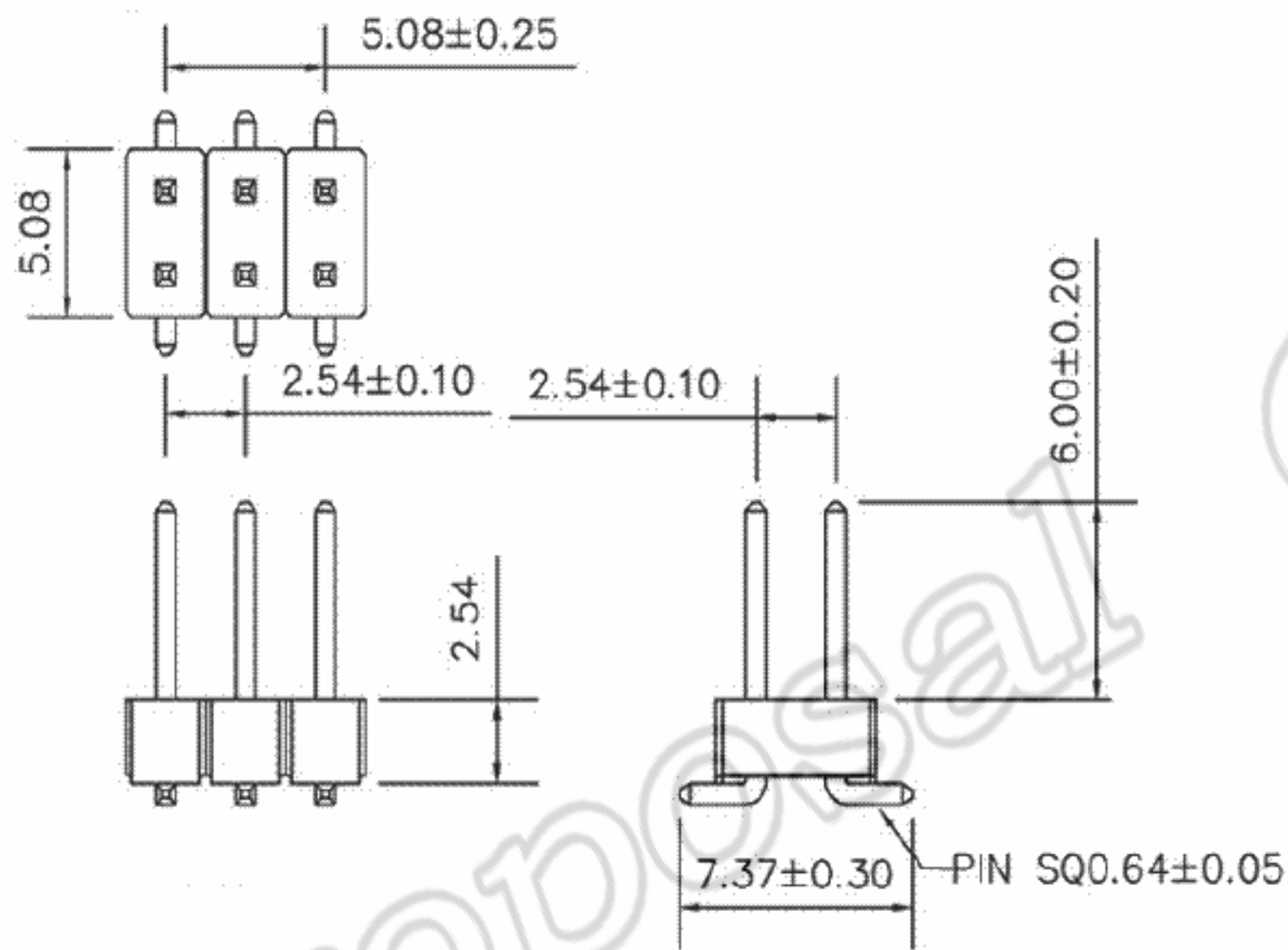


REV	ECN.NO:	BY	DATE
A0	NEW DWG	-	10.06.08



**SPECIFICATIONS:**  
 Current Rating: 3AMP  
 Insulation Resistance: 1000MΩ Min  
 Dielectric Withstanding: AC 500V  
 Operating Temperature: -40°C to +105°C  
 Materials  
 Contact Material: copper Alloy  
 and PLATING GOLD FLASH  
 Insulation Material: polyester. UL94-0 PA-6T  
 Color: black  
 Retention force  $\geq 1.0\text{Kg/PIN}$

COPLIANCE WITH THE REQUIREMENT  RoHS  HF  SONY00259  OTHER  
 \* NO USING RESTRICTED AND BANNED SUBSTANCE

CUSTOMER DRAWING		<b>LITE</b> Liteconn Co.,Ltd.	
-TOLERANCES- UNLESS OTHERWISE SPECIFIED		TITLE: 2.54MM HEADER DUAL ROW SMT	
X.X ±0.35	X.X' ±3'	APPD: -	DWG NO: 212303-0100-16R
X.XX ±0.25	X.XX' ±2'	CHECK: -	DATE
X.XXX ±0.15	X.XXX' ±1'	DRAW: -	SCALE
			UNIT
			PAGE
		2010.06.08	1:1
		MM	1/1