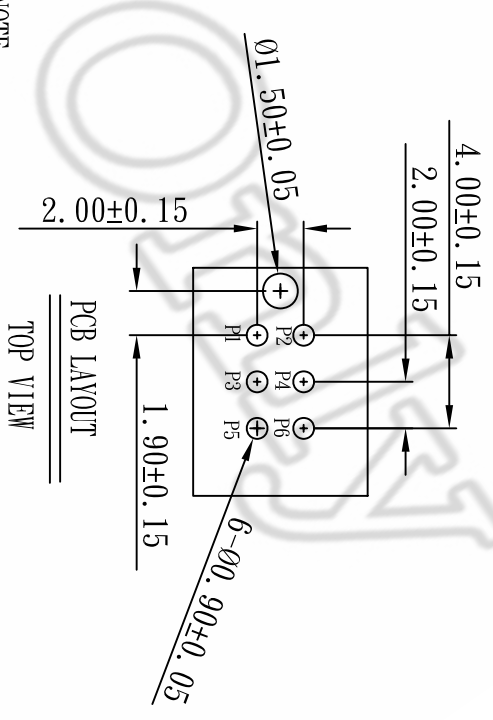
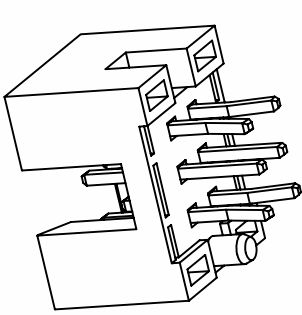
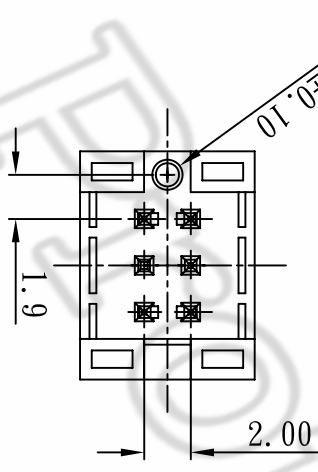
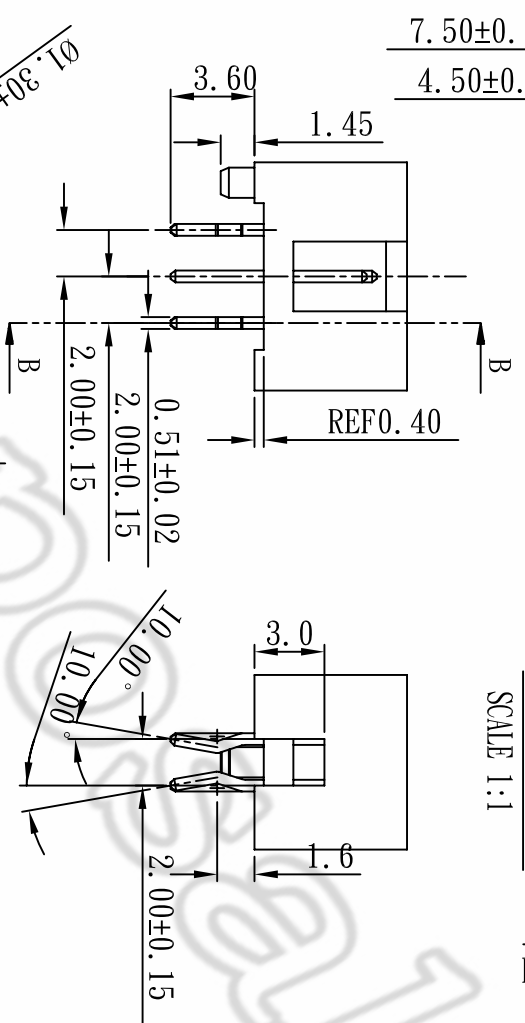
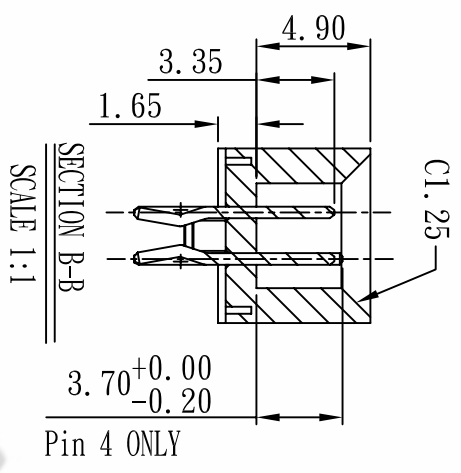
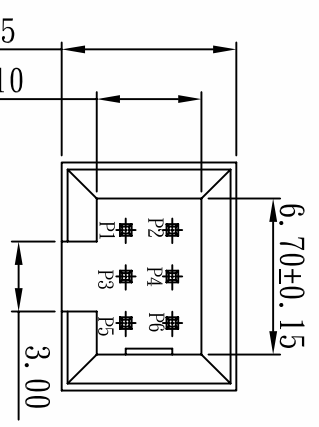


REV	ECN. NO.	BY	DATE
A0	NEW DWG	Emi1	10.02.20



NOTE:

1:SPECIFICATIONS:

1-1:Current Rating:2Amp.

1-2:Insulation Resistance:1000 Megohms Min.

1-3:Contact Resistance:30M Megohms Max.

1-4:Operating Temperature -40°C +105°C.

2:MATERIAL:

①>Contact Material:copper Alloy

②:Insulation Material:polyester. UL94-0 NYLON6T

3:Recommended process:

Wave solder peak up temperature:260°c, 5s

4:Finished:

Contact:10u"Au under-plating overall

and 50u"Ni under-plating overall.

5:Recommended PCB Thickness :1.60±0.05mm.

CUSTOMER DRAWING		LINE		Litecomm Co.,Ltd.	
-TOLERANCES- (UNLESS OTHERWISE SPECIFIED)		TITLE: 筒牛 2.00mmPIN距 180度DIP型2X3PIN K脚		DWG NO.: 212103-0131-96R	
X.X	±0.35	X.X°	±3°	APPD:	-
X.XX	±0.25	X.XX°	±2°	CHECK:	-
X.XXX	±0.15	X.XXX°	±1°	DATE	2010.02.20
		DRAW: Emi1		SCALE	1:1
				UNIT	MM
				PAGE	1/1

COMPLIANCE WITH THE REQUIREMENT RoHS HF SONY00259 OTHER
 ※ NO USING RESTRICTED AND BANNED SUBSTANCE