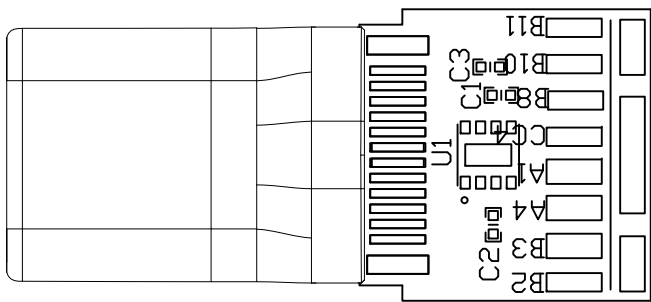
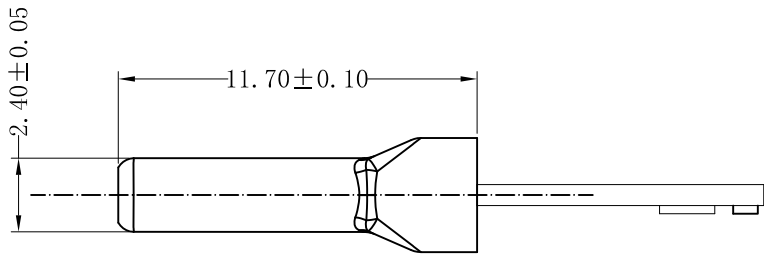
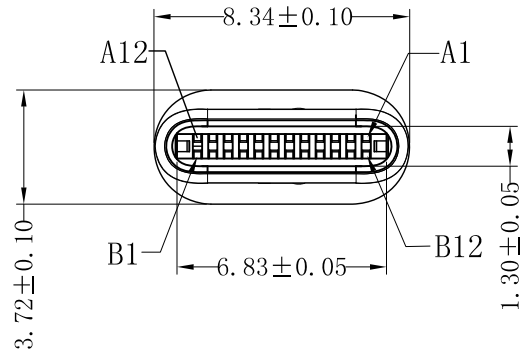
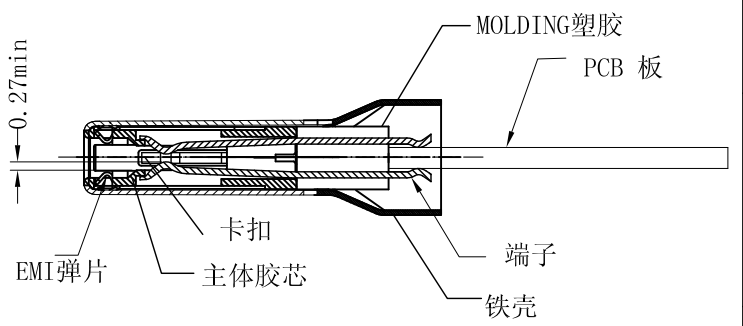
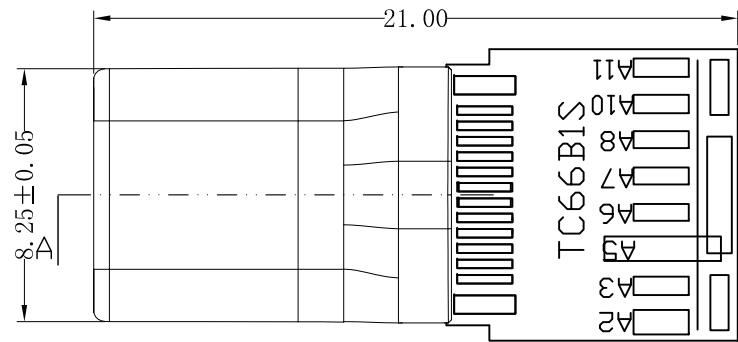


REV	ECN. NO:	BY	DATE
A01	NEW DRAWING	Tonghuaili	16.02.17



NOTES:

- 材質: shell-不銹鋼 ; housing-LCP; contact-銅合金;卡扣: SUS304 ;彈片: SUS304
- 主要特性:
 - 1 額定電流: 5A
 - 2 接觸阻抗: 30mΩ MAX
 - 3 絕緣阻抗: 100MΩ MIN 250V DC
 - 4 耐壓測試: 250V AC
 - 5 沾錫性: 溫度250±5℃, 時間5±0.5s
 - 6 整體插入力: 3.57kgf MAX
整體拔出力: 1.02kgf MIN
- 未標注公差尺寸請參照公差表
- 本產品環境管理物質含量需符合歐盟 ROHS指令

5. PART NO. :141624-XXXX- X X X

電阻值: 10 K, 5.1 K
22 K, 56 K

R: RoHS & TRAY
Q. LCP 本色
PLATING:
5. CONTACT: 30u"

C1: 1nf/50V
C2: 1nf/50V
C3: 10nf/50V

CUSTOMER DRAWING				LITE Liteconn Co.,Ltd.			
-TOLERANCES- UNLESS OTHERWISE SPECIFIED						TITLE: USB C TYPE FOR USB3.1	
X. X	±0.35	X. X°	±3°	APPD:		DWG NO: 141624-XXXX-XXX	
X. XX	±0.25	X. XX°	±2°	CHECK:		DATE	SCALE
X. XXX	±0.15	X. XXX°	±1°	DRAW: Tonghuaili		2016.02.17	1:1
						UNIT	PAGE
						MM	1/1

COMPLIANCE WITH THE REQUIEMENT RoHS HF SONY00259 OTHER
* NO USING RESTRICTED AND BANNED SUBSTANCE