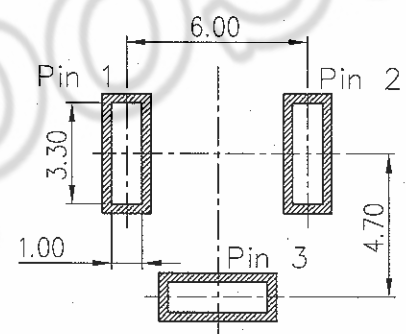
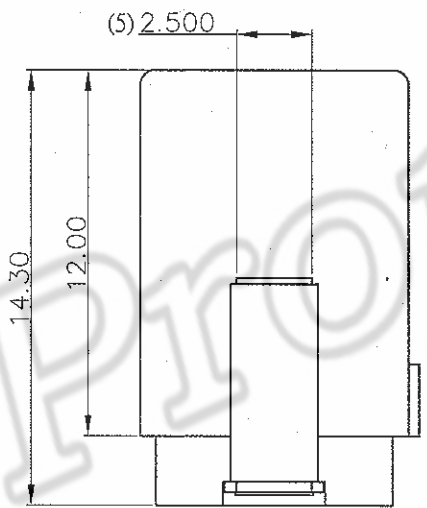
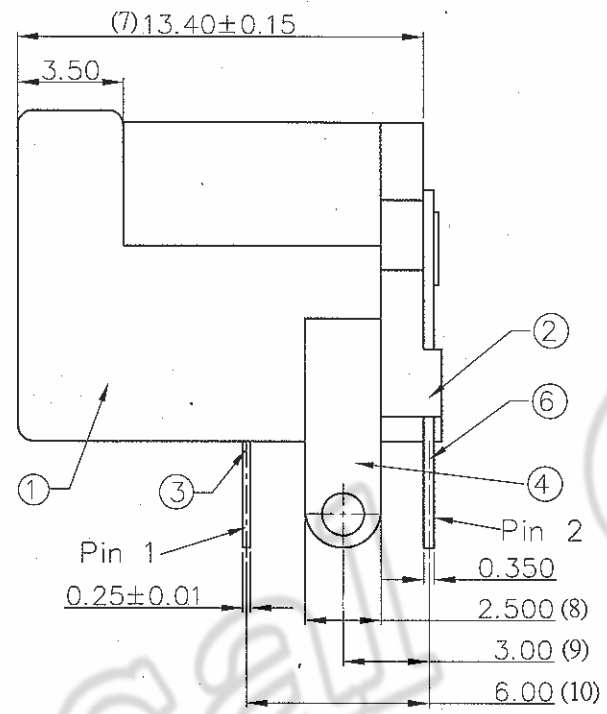
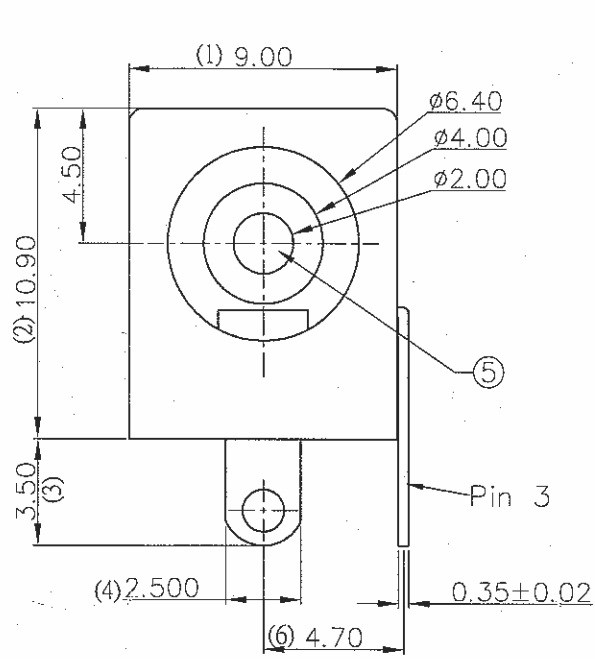


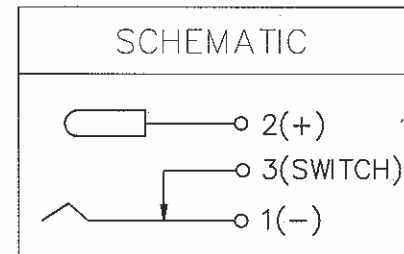
REV	ECN.NO:	BY	DATE
A0	NEW DWG	孫麗姣	10.10.07
A1	修改電路圖(ECR110840)	譚麗斌	11.08.17
A2	新增主體/料案(2915C)藍(ECN 111120)	韋芳	11.11.14



PCB LAYOUT

NOTES:

- MATERIAL:
 - HOUSING & COVER: HIGH TEMPERATURE THERMOPLASTIC WITH 30% G.F, UL94 V-0; COLOR: SEE NOTES 7
 - CONTACT: COPPER-ALLOY.
 - CONTACT: AG OR NICKEL UNDERPLATING OVERALL.
 - "(*)" SHOWS QIP INSPECTION ITEMS.
 - RECOMMENDED P.C.B THICKNESS : 1.6mm
 - OTHER GENERAL SPEC. TO REFER : JACK SERIES SPEC.
 - FOR REFLOW SOLDERING LEAD-FREE PROCESS
 - 201103-0113- X X X
- R: RoHS
MATERIAL:
2.HOUSING: PBT,COLOR: BLACK
9.HOUSING: PBT,COLOR: 2915C BLUE
PLATING:
7.CONTACT: T2 T4 鍍線底40u"-80u", 鍍亮錫 100u"-200u",T1 鍍線底40u"-80u", 鍍亮錫 100u"-200u",T3 鍍線底40u"-80u".
A.CONTACT: T1 T2 T4 20u",T3 Ni 60u";
B.CONTACT: T2 T4 40u",T1 20u",T3 60u".



NO:	DESCRIPTION	MATERIAL	COLOR	REMARK
6	CONTACT	SEE PART DRAWING		SILVER/TIN PLATED
5	CONTACT	SEE PART DRAWING		SILVER/TIN PLATED
4	CONTACT	SEE PART DRAWING		SILVER/TIN PLATED
3	CONTACT	SEE PART DRAWING		NICKEL PLATED
2	COVER	SEE PART DRAWING	SEE PART DRAWING	UL 94V-0
1	HOUSING	SEE PART DRAWING	SEE PART DRAWING	UL 94V-0

TABLE

NO:	PART NO:	PLATING	MATERIAL	REMARK
3	201103-0113-79R	TIN/NI	PBT/BLUE(2915C)	RoHS
2	201103-0113-82R	Silver	PBT/BLACK	RoHS
1	201103-0113-A2R	Tin	PBT/BLACK	RoHS

COPLIANCE WITH THE REQUIREMENT RoHS HF SONY00259 OTHER
* NO USING RESTRICTED AND BANNED SUBSTANCE

CUSTOMER DRAWING

-TOLERANCES-
UNLESS OTHERWISE SPECIFIED

X.X	±0.35	X.X'	±3'
X.XX	±0.25	X.XX'	±2'
X.XXX	±0.15	X.XXX'	±1'

LITE Liteconn Co.,Ltd.

TITLE: DCJACK 全塑PIN直徑2.00DIP型 90度3PIN端子有孔

DWG NO: 201103-0113-XXX

DATE: 2010.10.07

SCALE: 1:1

UNIT: MM

PAGE: 1/1

APPD: [Signature]

CHECK: [Signature]

DRAW: 孫麗姣