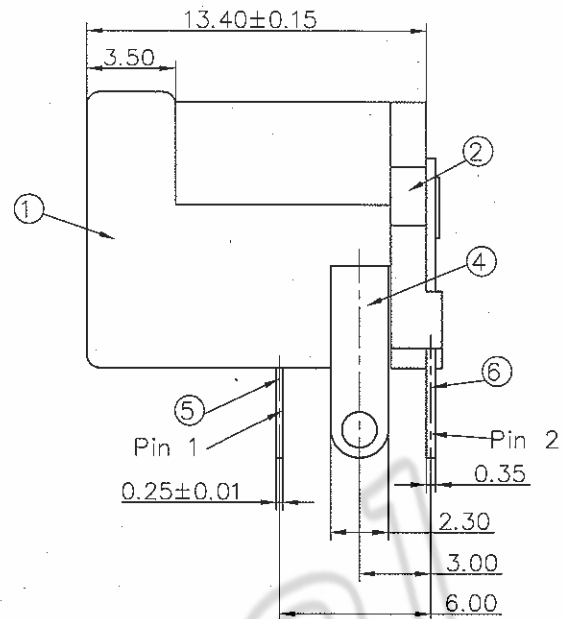
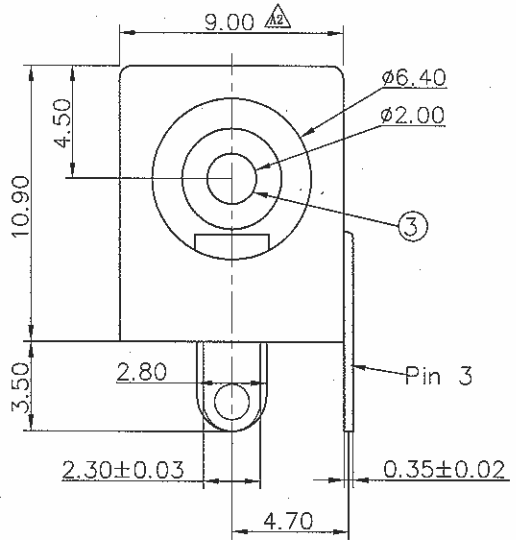
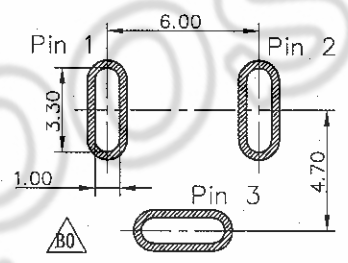
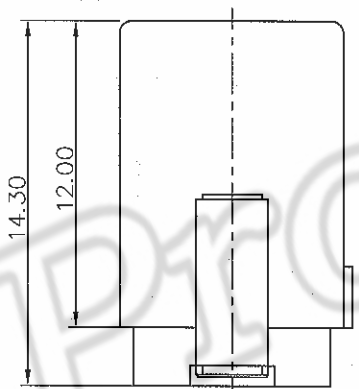


REV	ECN.NO:	BY	DATE
A0	NEW DWG	壯東	10.10.22
A1	修改電路圖(ECR110840)	譚艷斌	11.08.17

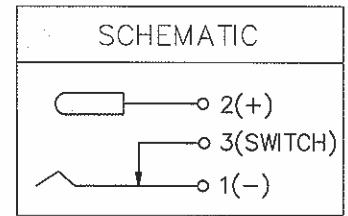


- NOTES:
- MATERIAL:
 - HOUSING & COVER: THERMOPLASTIC UL94 V-0; COLOR: SEE TABLE
 - CONTACT: BRASS
 - FINISH:
 - CONTACT(SEE TABLE):
 - 2.54um [100u"] MIN. TIN PLATING ON SOLDER TAIL AREA.
 - 1.02um [40u"] MIN. NICKEL UNDERPLATING OVERALL.
 - RECOMMENDED P.C.B THICKNESS : 1.6mm
 - OTHER GENERAL SPEC. TO REFER : JACK SERIES SPEC.
 - FOR WAVE SOLDERING LEAD-FREE PROCESS
 - PART NO.: 201103-0110-X X X

- R: ROHS
MATERIAL:
1: PA66,BLACK
2: PBT,BLACK
4: PBT,YELLOW(114C)
5: PBT,ORANGE(152U)
PLATING:
7: Ni 40u",Tin100u"



PCB LAYOUT



TABLE

4	201103-0110-71R	TIN 100u"	PA66/BLACK	RoHS
3	201103-0110-75R	TIN 100u"	PBT/ORANGE(152U)	RoHS
2	201103-0110-74R	TIN 100u"	PBT/YELLOW(116C)	RoHS
1	201103-0110-72R	TIN 100u"	PBT/BLACK	RoHS
NO:	PART NO:	PLATING	MATERIAL/COLOR	ENVIRONMENTAL

COPLIANCE WITH THE REQUIEMENT RoHS HF SONY00259 OTHER
* NO USING RESTRICTED AND BANNED SUBSTANCE

6	CONTACT	Copper Alloy		TIN PLATED
5	CONTACT	Copper Alloy		TIN PLATED
4	CONTACT	Copper Alloy		TIN PLATED
3	CONTACT	Copper Alloy		TIN PLATED
2	COVER	SEE TABLE	SEE TABLE	UL 94V-0
1	HOUSING	SEE TABLE	SEE TABLE	UL 94V-0
NO:	DESCRIPTION	MATERIAL	COLOR	REMARK

CUSTOMER DRAWING		LITE Liteconn Co.,Ltd.	
-TOLERANCES- UNLESS OTHERWISE SPECIFIED		TITLE: Ø2.0 DC JACK 3PIN	
X.X ±0.35	X.X' ±3'	APPD: Anders 8/19	DWG NO: 201103-0110-XXX
X.XX ±0.25	X.XX' ±2'	CHECK: 譚艷斌 8/19	DATE: 2010.10.22
X.XXX ±0.15	X.XXX' ±1'	DRAW: 譚艷斌 8/19	SCALE: 1:1
			UNIT: MM
			PAGE: 1/1