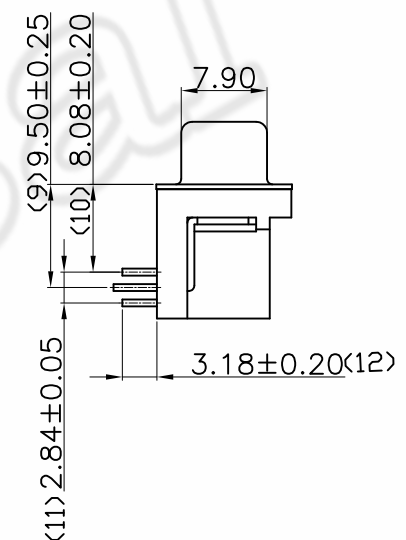
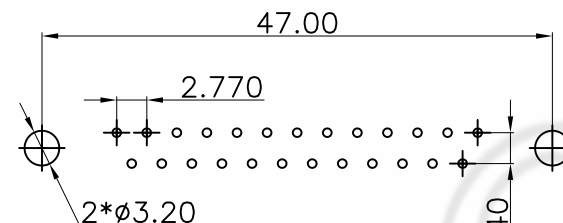
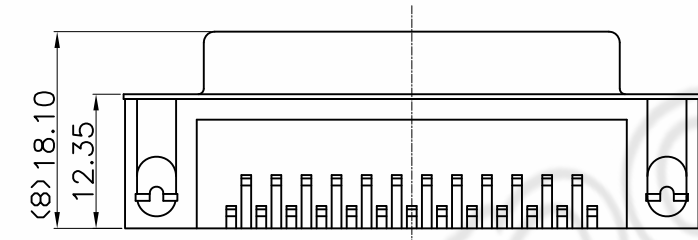
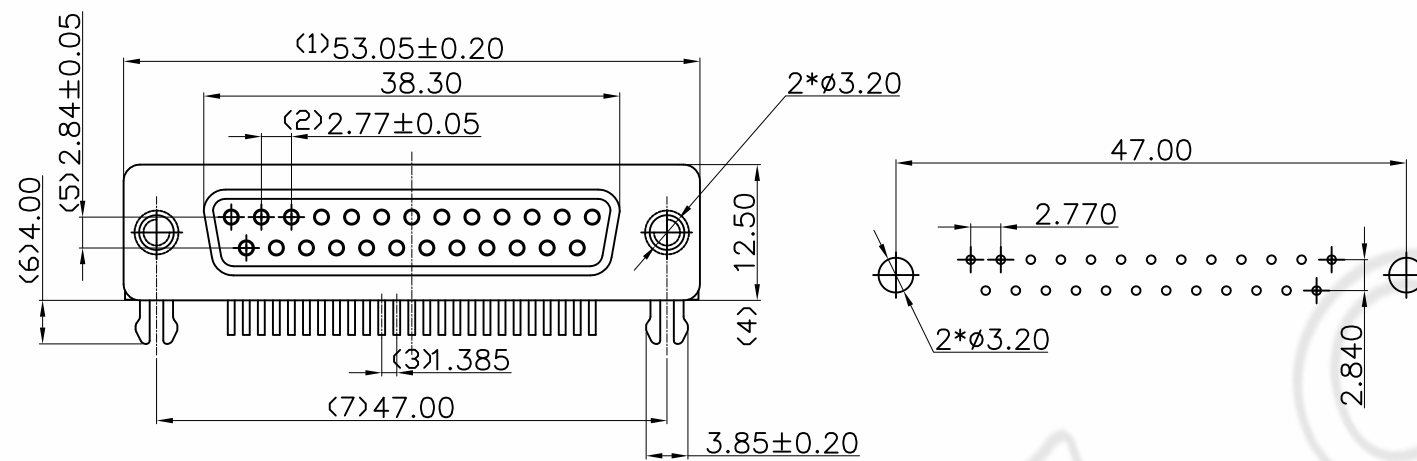


REV	ECN.NO:	BY	DATE
A0	新舊料號轉換	Emily	12.01.12



NOTES:

- MATERIAL:
 - HOUSING & COVER: THERMOPLASTIC HIGH TEMPERATURE
 - CONTACT: BRASS,C2680R-H,T=0.20;
 - SHELL: BRASS,C2680R-H,T=0.20;
 - RIVET:NICKEL PLATING;
 - BOARDLOCKS: BRASS,C2680R-H
- FINISH:
 - CONTACT:
 - GOLD PLATING(SEE TABLE) ON CONTACT AREA.
 - 1.02um [40u"] MIN. NICKEL UNDERPLATING OVERALL.
 - BOARDLOCK:
 - 2.54um [100u"] MIN. MATTE TIN PLATING.
 - 1.02um [40u"] MIN. NICKEL UNDERPLATING OVERALL.
- "(*)" SHOWS QIP INSPECTION ITEMS.
- RECOMMENDED P.C.B THICKNESS : 1.6mm
- OTHER GENERAL SPEC. TO REFER : DSB SERIES SPEC.
- FOR REFLOW SOLDERING LEAD-FREE PROCESS
- 152125-0100- X X X
 - R: RoHS
 - MATERIAL:
 - 2.HOUSING: PBT,COLOR: BLACK
 - PLATING:
 - 1.CONTACT: Ni 40u",Au 1u",Tin 100u";
 - BOARDLOCKS: Ni 40u";

6	T215-1010-XXX	BOARDLOCKS	SPCC-H		NICKEL PLATED
5	T302-011-XXX	FORK	C2680R-H		TIN PLATED
4	T303-003-XXX	RIVET	SPCC-H		NICKEL PLATED
3	T115-2025-XXX	CONTACT	C2680R-H		GOLD/TIN PLATED
2	H115-2006-XXX	BACK PLASTIC	PBT	BLACK	UL 94V-0
1	H115-1002-XXX	HOUSING	PBT	BLACK	UL 94V-0
NO:	PART NO:	DESCRIPTION	MATERIAL	COLOR	REMARK

TABLE

1	152125-0100-12R	Au1u"	PBT	RoHS
NO:	PART NO:	PLATING	MATERIAL	REMARK

COPLIANCE WITH THE REQUIEMENT RoHS HF SONY00259 OTHER
 ※ NO USING RESTRICTED AND BANNED SUBSTANCE

PRODUCT DRAWING		LITE Liteconn Co.,Ltd.			
-TOLERANCES- UNLESS OTHERWISE SPECIFIED		TITLE: D-SUB二排25PIN母座			
X.X	±0.20	X.X*	±2°	APPD:	-
X.XX	±0.10	X.XX*	±1°	CHECK:	-
X.XXX	±0.05	X.XXX*	±0.5°	DRAW:	Emily
		DWG NO:		152125-0100-XXR	
		DATE	SCALE	UNIT	PAGE
		2012.01.12	1:1	MM	1/1