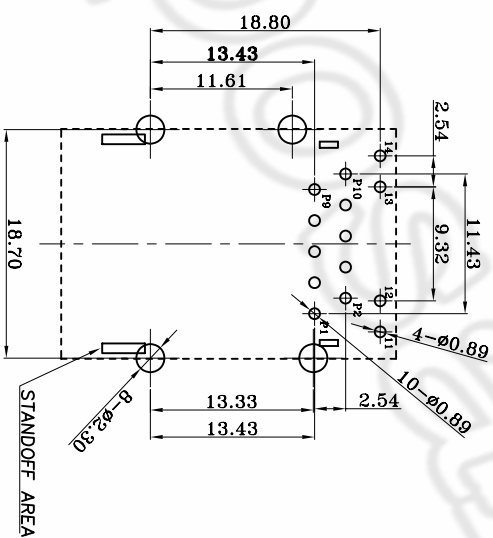
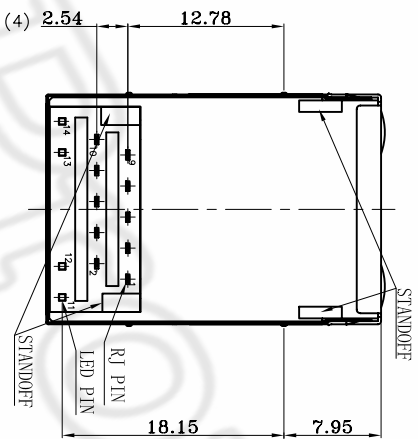


噴五碼 (年, 周, 線別)



RECOMMENDED P.C.B LAYOUT(PCB THICKNESS: 1.6mm)
COMPONENT SIDE VIEW(TOLERANCE: ±0.05)

包規參照《WB-E.規-0827》

12811-027CV000-52R

環保標準：ROHS
 產品材質：主體PBT 黑色
 端子電鍍規格：半金30u"
 產品延伸碼
 無關柱
 產品彈片規格：無彈片
 產品電鍍規格：CY線路
 LED規格：左綠右綠黃
 產品序列碼
 產品PORT數：1 PORT
 產品層次碼：單層
 主體結構：復合性結構產品
 RJF濾波器產品

CUSTOMER DRAWING
-TOLERANCES-
UNLESS OTHERWISE SPECIFIED



Liteconn Co.,Ltd.

X.X ±0.35
X.XX ±0.25
X.XXX ±0.15



TITLE: MAG45單PORT 1000M 帶燈

APPD: X.X' ±2'
CHECK: X.XX' ±1'
DRAW: ijunbin

DWG NO: 12811-027CV000-52R

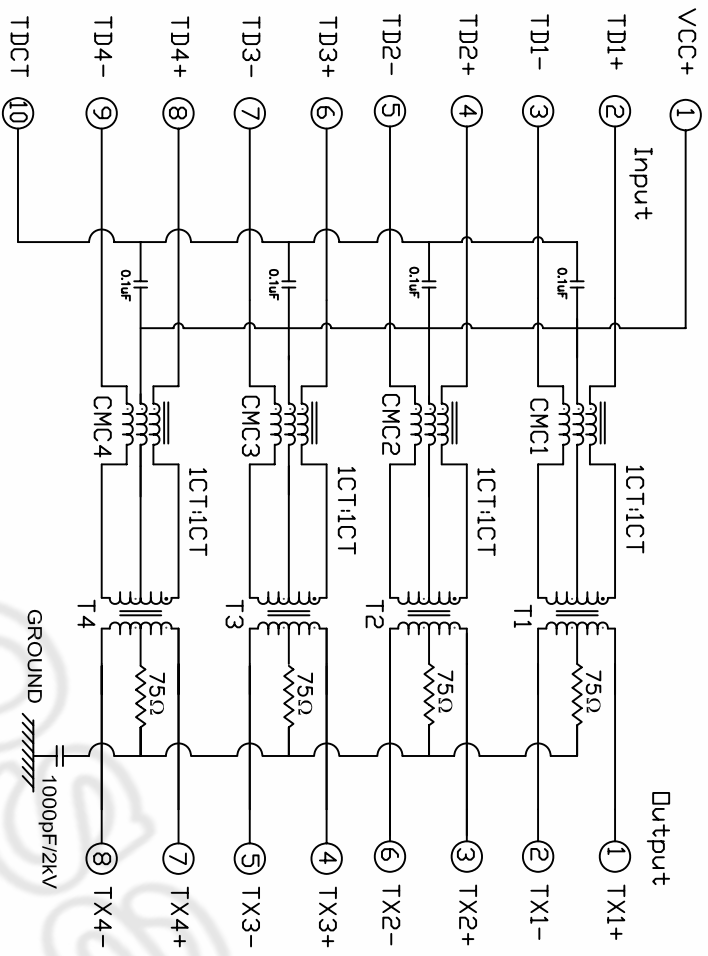
DATE: 2011/06/16
SCALE: 1:1
UNIT: MM
PAGE: 1/3

COMPLIANCE WITH THE REQUIREMENT ROHS HF SONY00259 OTHER
 ※ NO USING RESTRICTED AND BANNED SUBSTANCE

REV	ECONO.:	BY	DATE
A0	NEW DWG T110705	ijunbin	11/06/16
A1	LED燈外殼由30度圓頭改為平頭 T110715	ijunbin	11.07.27

REV	ECONO:	BY	DATE
A0	NEW DWG T110705	陳敬軍	11/06/16
A1	LED燈外殼和30萬個改本不封箱	陳敬軍	11.07.27
T110715			

SCHEMATIC
CV Circuit Isolation Magnetic



Standard LED color	LED wavelength	Forward (V MAX)	Typical (V TYP)	Forward current
GREEN	560-580 nm	2.5V	2.1-2.2V	20mA MAX
YELLOW	580-610 nm	2.5V	2.1-2.2V	20mA MAX

Materials:

- RJ Contact: T=0.30mm, C2680, SELECTIVE GOLD
- 30U" PLATED IN CONTACT AREA, 100U"min.
- Matte Tin over 50U" Nickel under-plating
- USB Contact: T=0.30mm C2680, SELECTIVE GOLD
- 30U" PLATED IN CONTACT AREA, 100U"min.
- Tin over 50U" Nickel under-plating, LCP blue.
- PCB PIN: S50C-H 100U" Matte Tin OVERALL 80U" Nickel Shielded:
- Front shell: SUS201 1 / 4H T=0.15mm
- Back shell: SUS201 1 / 4H T=0.25mm
- HOUSING: PBT + 30%G.F., BLACK, UL94V-0, thermostability 260±5°C, 5sec max.
- Operating temperature: 0°C to +70°C
- Storage temperature: -40°C to +85°C

Electrical Specifications: (25°C)

- Turns Ratio:
 - P2-P3: J1-J2 = 1:1± 5%
 - P4-P5: J3-J6 = 1:1± 5%
 - P6-P7: J4-J5 = 1:1± 5%
 - P8-P9: J7-J8 = 1:1± 5%
- Insertion Loss: @1~100 MHz : -1.1dB Max
- Return Loss:
 - @1~30MHz : -18dB Min
 - @30~60MHz : -14.5dB Min
 - @ 60~100MHz : -10dB Min
- Common Mode Rejection: @1~100 MHz: -30dB Min
- Crosstalk: @ 1~100MHz : -30dB Min
- OCL: @100KHz, 0.1V, 8mADC : 350uH Min
- Hi-Pot : 1500VAC, 1mA, 2 S

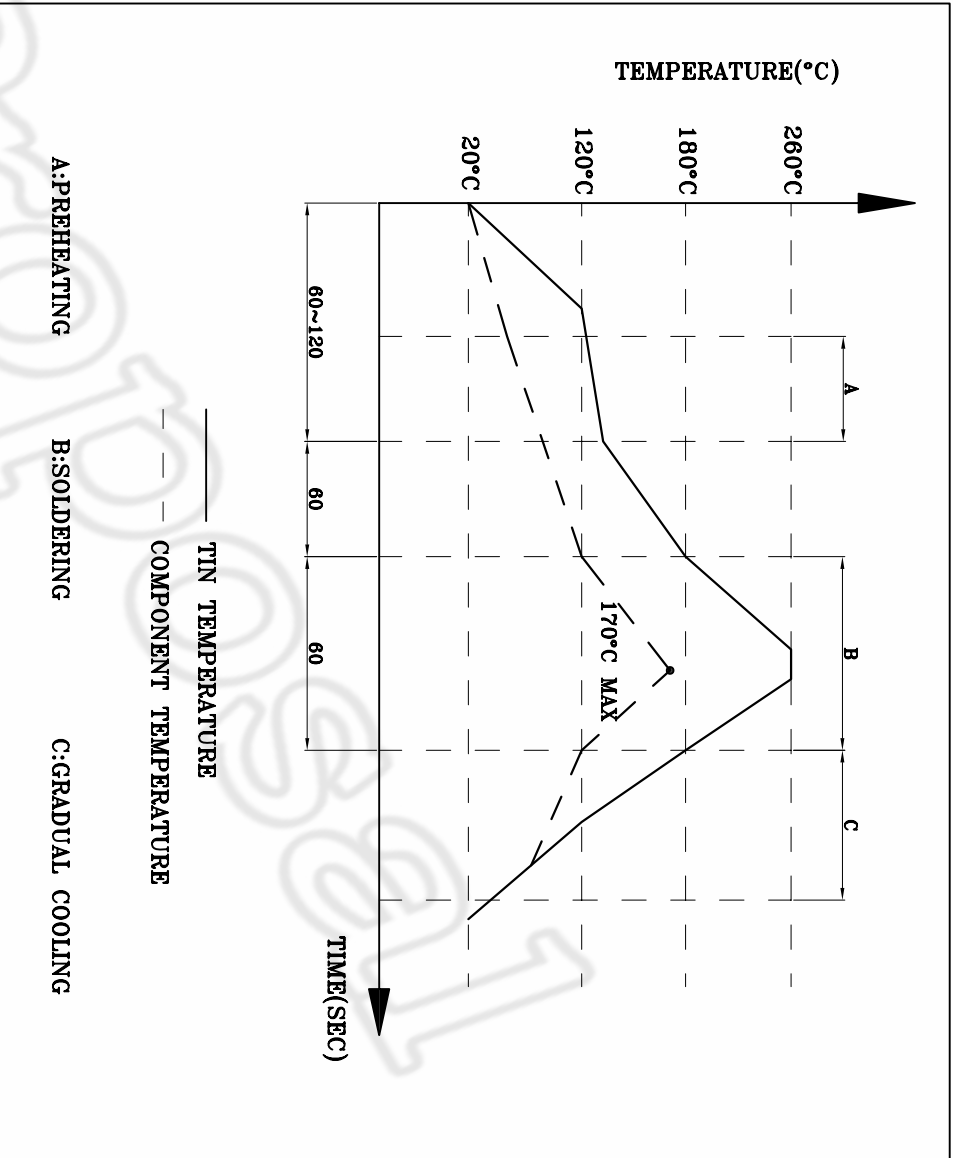
LITE Liteconn Co., Ltd.

CUSTOMER DRAWING		TITLE: MAg45單PORT 1000M 帶磁
-TOLERANCES-		DWG NO: 12811-027CV000-52R
UNLESS OTHERWISE SPECIFIED		
X.X ±0.35	X.X' ±3'	DATE: 2011.06.16
X.XX ±0.25	X.XX' ±2'	SCALE: 1:1
X.XXX ±0.15	X.XXX' ±1'	UNIT: MM
	DRAW: 陳敬軍	PAGE: 2/3

COMPLIANCE WITH THE REQUIREMENT RoHS HF SONY0259 OTHER
 ※ NO USING RESTRICTED AND BANNED SUBSTANCE

REV	ECONO. NO.	BY	DATE
A0	NEW DWG T110705	ijunbin	11/06/16
A1	LED燈外殼的3D 模型圖紙的更新 T110715	ijunbin	11.07.27

PROFILE OF WAVE SOLDER:



- SUGGESTED WAVE SOLDER CURVE
- (1) TIP TEMPERATURE:260±5°C
 - (2) TIP TEMPERATURE TIME:5 SEC MAX

COMPLIANCE WITH THE REQUIREMENT RoHS HF SONY00259 OTHER
 ※ NO USING RESTRICTED AND BANNED SUBSTANCE

CUSTOMER DRAWING		TITLE: Liteconn Co.,Ltd.	
-TOLERANCES-		MAG45單PORT 1000M 帶殼	
UNLESS OTHERWISE SPECIFIED		DRAW: ijunbin	
X.X ±0.35	X.X' ±2'	DATE	SCALE
X.XX ±0.25	X.XX' ±1'	2011/06/16	1:1
X.XXX ±0.15	X.XXX' ±0.5'	UNIT	MM
APPD:		DWG NO:	12811-027CV000-52R
CHECK:		DATE	SCALE
DRAW: ijunbin		UNIT	MM
		PAGE	3/3