

REV	ECN/NO:	BY	DATE
A0	NEW DWG	ijunbin	11.04.29

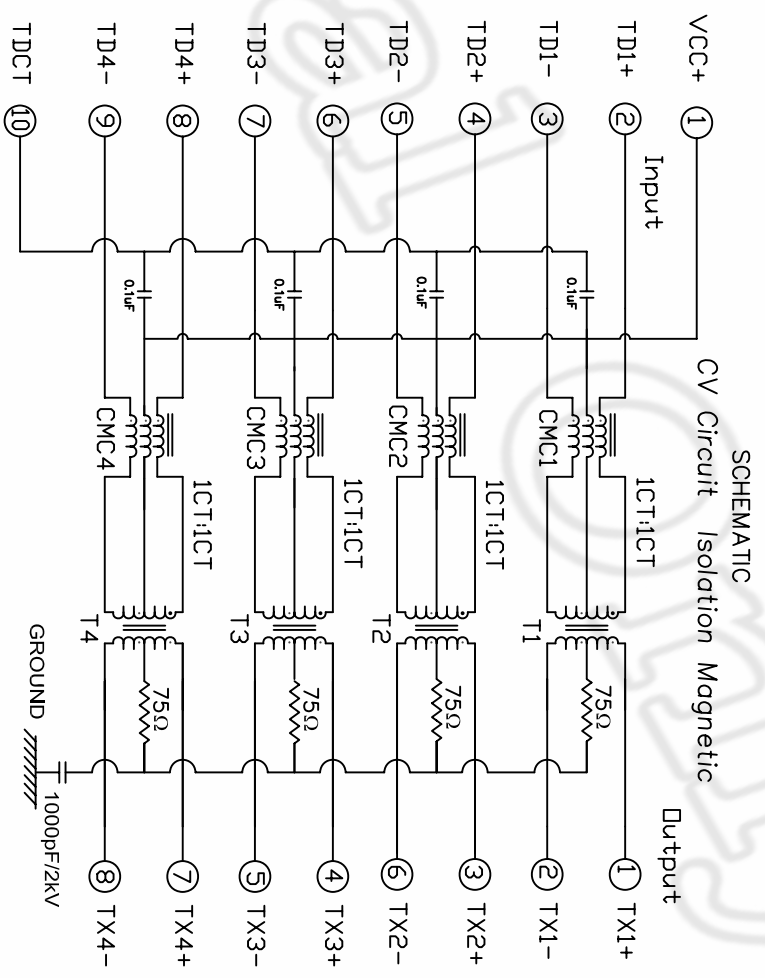
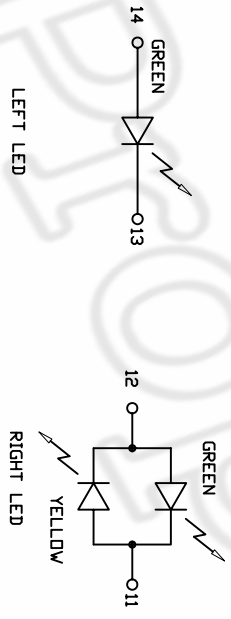
1. MATERIAL:
- 1.1 INSULATOR: THERMOPLASTIC, UL94V-0; COLOR: BLACK.
 - 1.2 RJ MATING TERMINAL: COPPER ALLOY; 30u" GOLD PLATED IN CONTACT AREA, 50u" MIN. NICKEL UNDERPLATED OVERALL.
 - 1.3 RJ SOLDER TAIL: COPPER ALLOY, 100u" MIN. TIN PLATED OVER 50u" MIN. NICKEL UNDERPLATED OVERALL.
 - 1.4 USB CONTACT: COPPER ALLOY, SELECTIVE GOLD 30u" PLATED IN CONTACT AREA, 100u" MIN. TIN PLATED IN SOLDER AREA, 50u" MIN. NICKEL UNDERPLATED OVERALL.
 - 1.5 USB BOARDLOCK: STEEL, 100u" MIN. TIN PLATED
 - 1.6 FRONT SHELL AND BACK SHELL: STAINLESS STEEL, GROUNDING LEG: PRE-SOLDERING

2. SPECIFICATIONS(USB):

- R145:
- 2.1 CURRENT RATING: 1.5 AMP
 - 2.2 INSULATION RESISTANCE: 500MΩ MIN.
 - 2.3 TEMPERATURE RATING: -40°C ~ +70°C.
 - 2.4 CURRENT RATING: 1.0 AMP
 - 2.5 CONTACT RESISTANCE: 30mΩ MAX.
 - 2.6 INSULATION RESISTANCE: 1000MΩ MIN.
 - 2.7 DIELECTRIC WITHSTANDING VOLTAGE: 500V AC PER MINUTE.

INSERTION LOSS		RETURN LOSS		CMR		HI-POTURNS RATIO	
(dB MAX)	(dB MIN)	(dB MAX)	(dB MIN)	(dB MIN)	RMS	TD	1CT:1CT
1-100 MHz	100-1251-30 MHz	30-6060-8080-100 MHz	30-6060-8080-100 MHz	1-60 MHz	60-100 MHz	60 Hz/MIN	TD 1/2/3/4
-1.0	-1.2	-18	-16	-12	-10		
CROSS TALK		CMR		HI-POTURNS RATIO			
(dB MIN)	(dB MIN)	(dB MIN)	RMS	TD	1CT:1CT		
1-30 MHz	30-6060-100 MHz	1-60 MHz	60-100 MHz	60 Hz/MIN	TD 1/2/3/4		
-40	-35	-30	-40	-30	1500		

INDUCTANCE 350uH MIN 100KHz 100mV 8mA DC



COMPLIANCE WITH THE REQUIREMENT RoHS HF SONY00259 OTHER
 ※ NO USING RESTRICTED AND BANNED SUBSTANCE

CUSTOMER DRAWING		Lite		TITLE: Litecomm Co.,Ltd.	
-TOLERANCES-				MAG45 1000M+STACK	
UNLESS OTHERWISE SPECIFIED				USB 2.0+LED	
X.X ±0.35	X.X' ±2'	APPD:		DWG NO: 12800-0176V000-52R	
X.XX ±0.25	X.XX' ±1'	CHECK:		DATE	
X.XXX ±0.15	X.XXX' ±0.5'	DRAW: ijunbin		SCALE UNIT PAGE	
				1:1 MM 2/2	