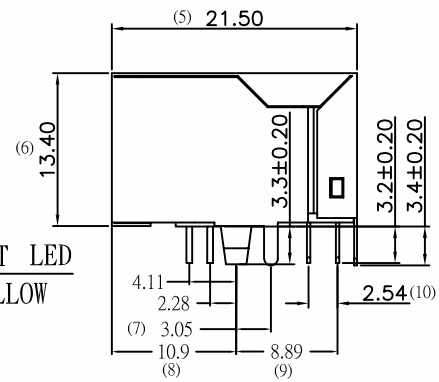
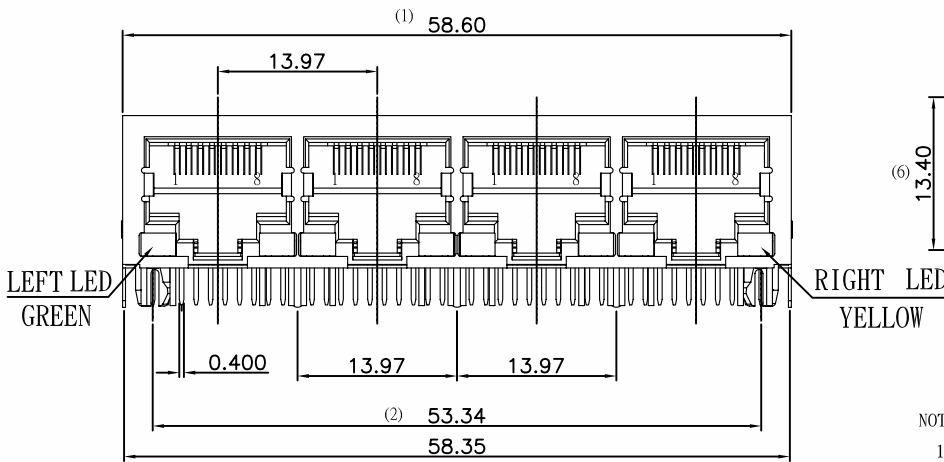


| | | | |
|-----|----------|----------|----------|
| REV | ECN. NO: | BY | DATE |
| AO | NEW DWG | Joe Chen | 11.11.21 |

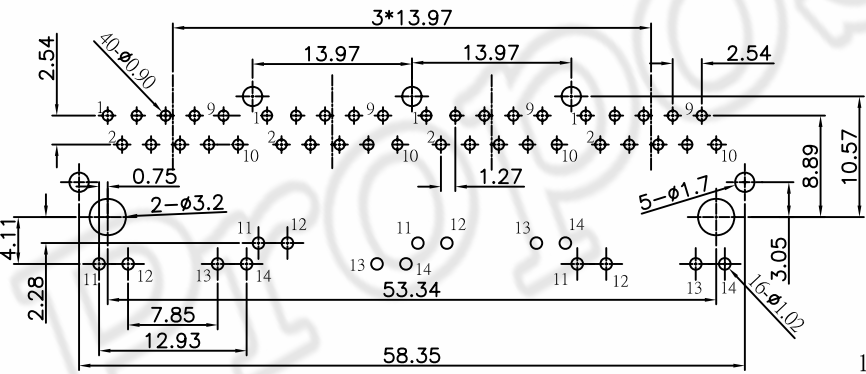
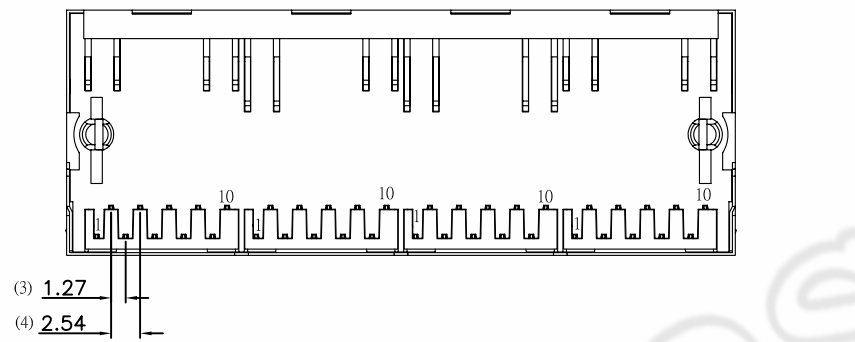
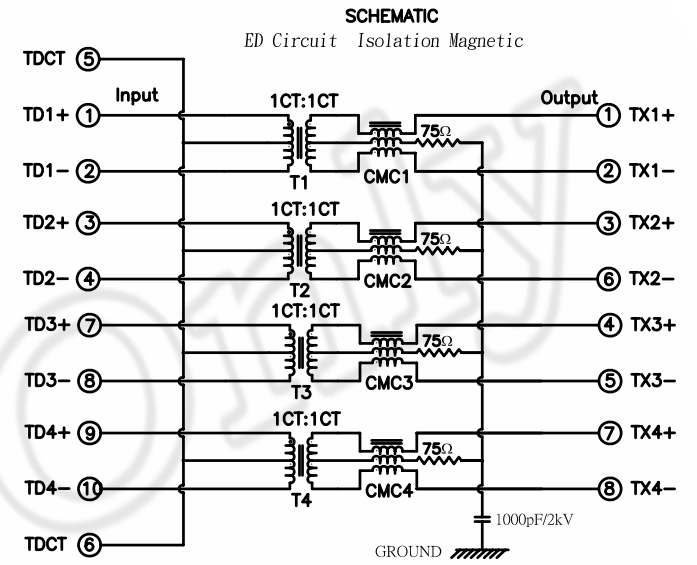


NOTE 1:

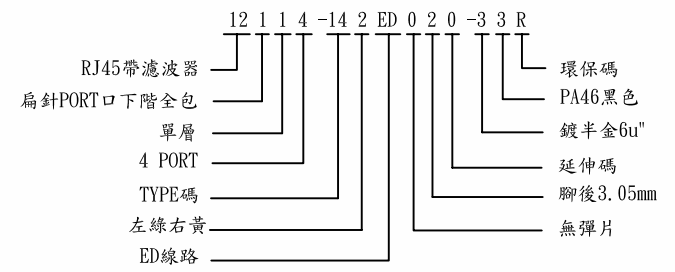
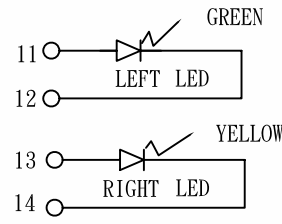
1. MATERIALS:
 HOUSING: THERMOPLASTIC POLYESTER;
 RJ CONTACT: COPPER ALLOY, T=0.35±0.02mm.
 JOINT CONTACT: COPPER ALLOY, T=0.30±0.02mm.
 SHELL: COPPER ALLOY, T=0.20±0.02mm.

2. PLATING:
 RJ CONTACTS: SELECT GOLD PLATED OVER NICKEL UNDERPLATED OVERALL
 JOINT CONTACTS: TIN PLATED OVER NICKEL UNDERPLATED OVERALL
 SHELL: NICKEL UNDERPLATED OVERALL

3. SPECIFICATION:
 OPERATING TEMPERATURE : 0°C~+70°C
 STORAGE: -40°C~+85°C
 DURABILITY: 750 CYCLES MIN
 TYPE: BALANCE LOW PASS 100Ω IMPEDANCE
 INSERTION LOSS: 1-100MHz-1.0dB MAX.
 RETURN LOSS: 1-30MHz-18dB MIN.
 30-60MHz-16dB MIN.
 60-80MHz-12dB MIN.
 80-100MHz-10dB MIN.
 CROSS TALK: @1-100MHz-35dB MIN.
 COMMON MODE REJECTION: @1-100 MHz-30dB MIN
 INDUCTANCE AT 100KHz 100mV, 8mA DC BIAS: 350uH MIN.
 HI-POT: 1500Vrms (INPUT TO OUTPUT)



PCB LAYOUT



COMPLIANCE WITH THE REQUIREMENT RoHS HF SONY00259 OTHER
 ※ NO USING RESTRICTED AND BANNED SUBSTANCE

| | | | | | |
|--|-------|-------------------------------|-----|----------------------------|-------|
| CUSTOMER DRAWING | | LITE Liteconn Co.,Ltd. | | | |
| -TOLERANCES- UNLESS OTHERWISE SPECIFIED | | TITLE: Mag45 1*4 1000M+LED | | APPD: | |
| X. X | ±0.35 | X. X° | ±3° | DWG NO: 12114-142ED020-33R | |
| X. XX | ±0.25 | X. XX° | ±2° | DATE | SCALE |
| X. XXX | ±0.15 | X. XXX° | ±1° | UNIT | PAGE |
| DRAW: Joe Chen | | 2011.11.21 | 1:1 | MM | 1/1 |