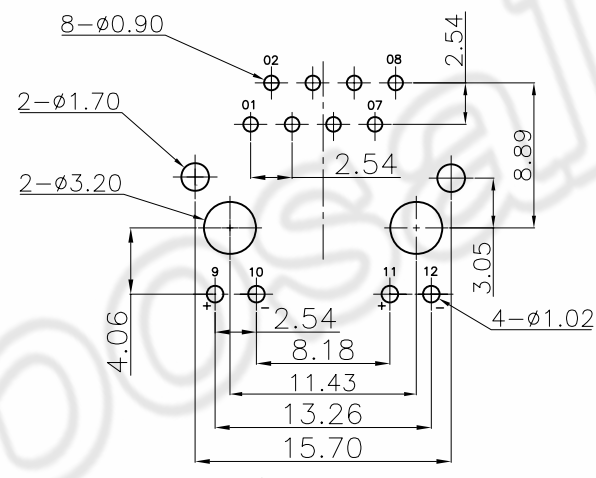
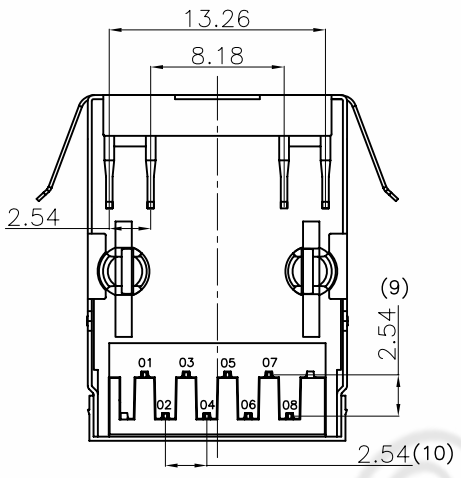
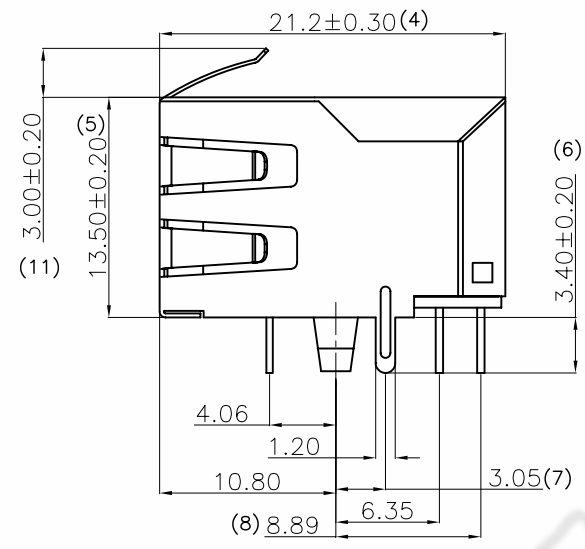
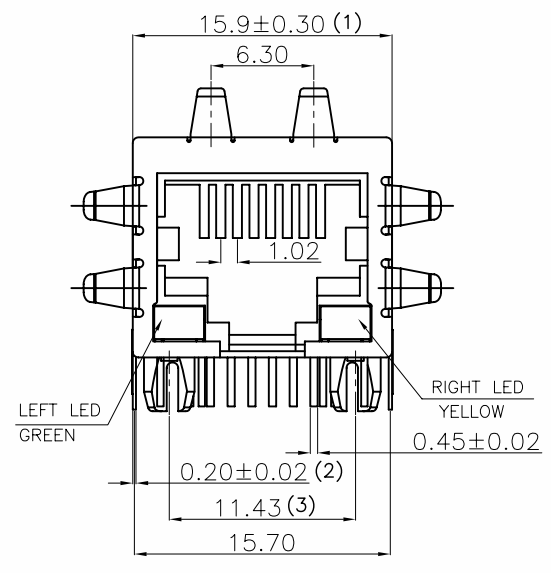
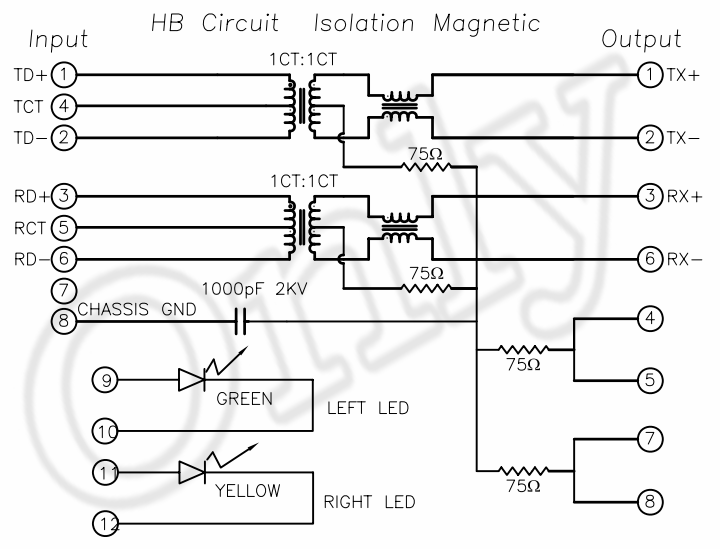


REV	ECN.NO:	BY	DATE
A0	NEW DWG	Joe Chen	2011/11/25



PCB LAYOUT  
TOP VIEW



NOTE :

- MATERIALS:  
HOUSING: THERMOPLASTIC POLYESTER, BLACK;  
RJ CONTACT: PHOSPHOR BRONZE, T=0.35±0.02mm.  
JOINT CONTACT: BRASS, T=0.30±0.02mm.  
SHELL: BRASS, T=0.20±0.01mm.
- PLATING:  
RJ CONTACTS: SELECT GOLD PLATED OVER NICKEL UNDERPLATED OVERALL  
JOINT CONTACTS: TIN PLATED OVER NICKEL UNDERPLATED OVERALL  
SHELL: NICKEL UNDERPLATED OVERALL
- SPECIFICATION:  
OPERATING TEMPERATURE : 0°C~+70°C  
STORAGE: -40°C~+85°C  
DURABILITY: 750 CYCLES MIN  
TYPE: BALANCE LOW PASS 100 Ω IMPEDANCE  
INSERTION LOSS: 1~100MHz-1.0dB MAX.  
RETURN LOSS: 1~30MHz-18dB MIN.  
30~60MHz-16dB MIN.  
60~80MHz-12dB MIN.  
CROSS TALK: @1~100MHz-35dB MIN.  
COMMON MODE REJECTION: @1~100 MHz-30dB MIN  
INDUCTANCE AT 100KHz 100mV, 8mA DC BIAS: 350uH MIN.  
HI-POT: 1500Vrms (INPUT 1-6 TO OUTPUT 1-8)

4. 12111-042HB621-33R

- 環保標準: ROHS
- 產品塑膠材質: PA46, 黑色
- 電鍍規格碼: 鍍半金6u"
- 產品延伸碼: NO MARK
- 腳后: 3.05
- 產品彈片規格: 6彈片
- 產品線路規格: HB線路
- LED規格: 左綠右黃
- 產品序列碼
- 產品PORT數: 單PORT
- 產品層數: 單層
- 主結構碼: 扁針PORT口下階全包
- RJ濾波器產品

COMPLIANCE WITH THE REQUIEMENT  RoHS  SONY00259  HF  OTHER  
\*NO USING RESTRICTED AND BANNED SUBSTANCE

CUSTOMER DRAWING		<b>LiTE</b> LiTECONN Co.,Ltd.	
-TOLERANCES- UNLESS OTHERWISE SPECIFIED			TITLE: RJ TRANSFORMER 10/100 單層單PORT 8P8(W/LED)
X.X ±0.35	X.X° ±3°	APPD:	DWG NO: 12111-042HB621-33R
X.XX ±0.25	X.XX° ±1°	CHECK:	DATE SCALE UNIT PAGE
X.XXX ±0.15	X.XXX° ±0.5°	DRAW: Joe Chen	2011/11/25 FREE mm 1/1