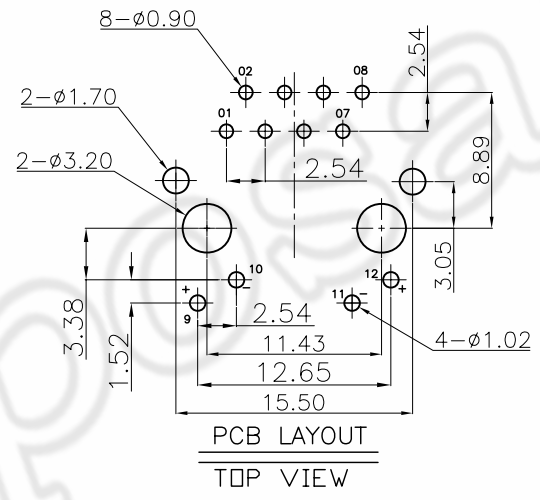
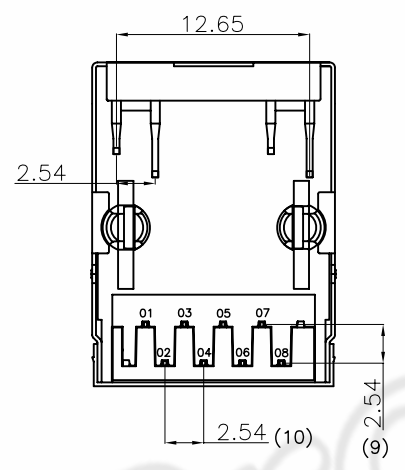
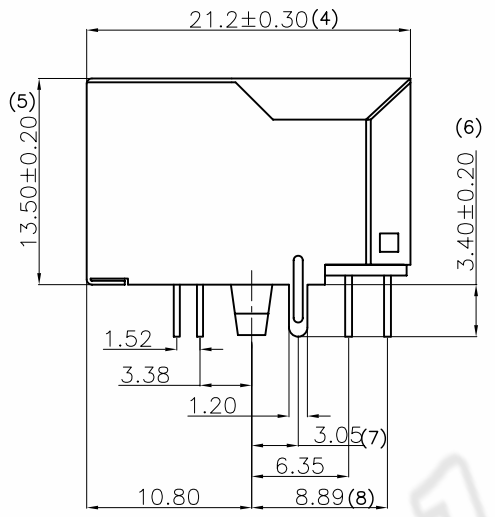
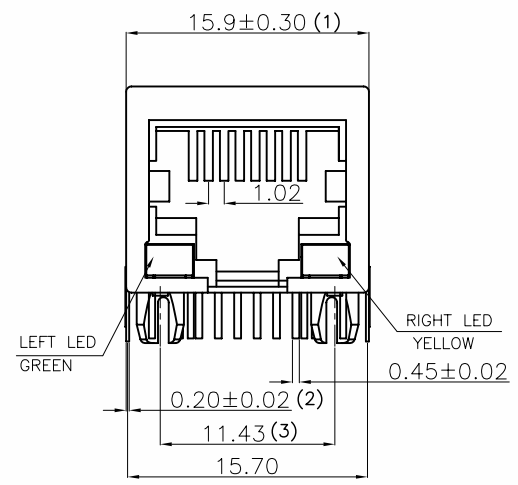
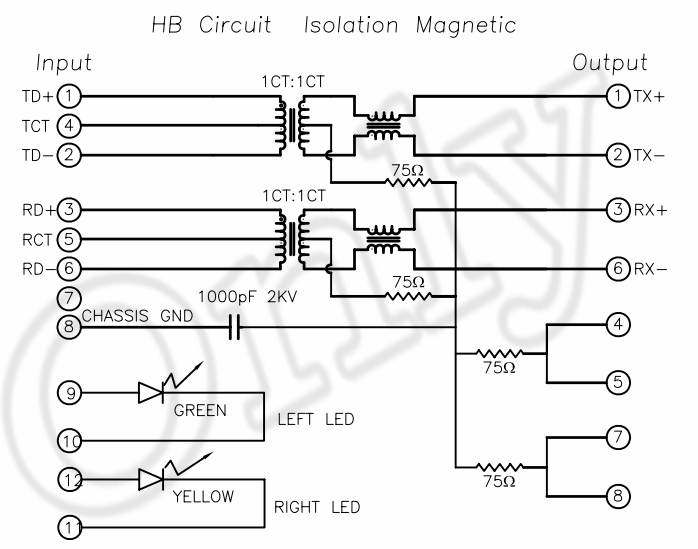


REV	ECN.NO:	BY	DATE
AO	NEW DWG(110166)	lijunbin	11.01.20



6. 12111-042HB022-4 3 R  
R: RHOS  
MATERIAL:  
3.HOUSING: THERMOPLASTIC,COLOR: BLACK  
PLATING:  
4.CONTACT: Ni 50u",Au 15u",Tin 120u";  
BOARDLOCKS: Ni 50u";  
022:無銅片, 腳長3.05  
HB Circuit Isolation Magnetic



NOTE 1:  
1.MATERIALS:  
HOUSING:THERMOPLASTIC POLYESTER, BLACK;  
RJ CONTACT:PHOSPHOR BRONZE,T=0.35±0.02mm.  
JOINT CONTACT:BRASS,T=0.30±0.02mm.  
SHELL:BRASS,T=0.20±0.01mm.  
2.PLATING:  
RJ CONTACTS: SELECT GOLD PLATED OVER NICKEL UNDERPLATED OVERALL  
JOINT CONTACTS: TIN PLATED OVER NICKEL UNDERPLATED OVERALL  
SHELL: NICKEL UNDERPLATED OVERALL  
3.SPECIFICATION:  
OPERATING TEMPERATURE : 0°C~+70°C  
STORAGE: -40°C~+85°C  
DURABILITY: 750 CYCLES MIN  
TYPE: BALANCE LOW PASS 100Ω IMPEDANCE  
INSERTION LOSS: 1~100MHz-1.0dB MAX.  
RETURN LOSS: 1~30MHz-18dB MIN.  
30~60MHz-16dB MIN.  
60~80MHz-12dB MIN.  
CROSS TALK: @1~100MHz-35dB MIN.  
COMMON MODE REJECTION: @1~100 MHz-30dB MIN  
INDUCTANCE AT 100KHz 100mV,8mA DC BIAS: 350uH MIN.  
HI-POT: 1500Vrms (INPUT TO OUTPUT)

COMPLIANCE WITH THE REQUIREMENT  RoHS  HF  SONY00259  OTHER  
※ NO USING RESTRICTED AND BANNED SUBSTANCE

CUSTOMER DRAWING		<b>LITE</b> Liteconn Co.,Ltd.			
-TOLERANCES- UNLESS OTHERWISE SPECIFIED		TITLE: RJF 10/100M 單層單PORT 8P8C		APPD:	
X.X ±0.35	X.X* ±3*	DWG NO: 12111-042HB022-43R		DRAW: lijunbin	
X.XX ±0.25	X.XX* ±2*	DATE	SCALE	UNIT	PAGE
X.XXX ±0.15	X.XXX* ±1*	2011.01.20	1:1	MM	1/1