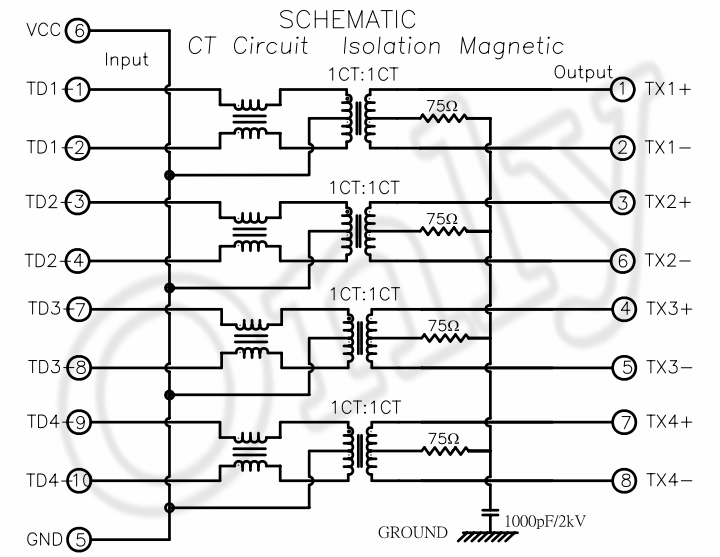
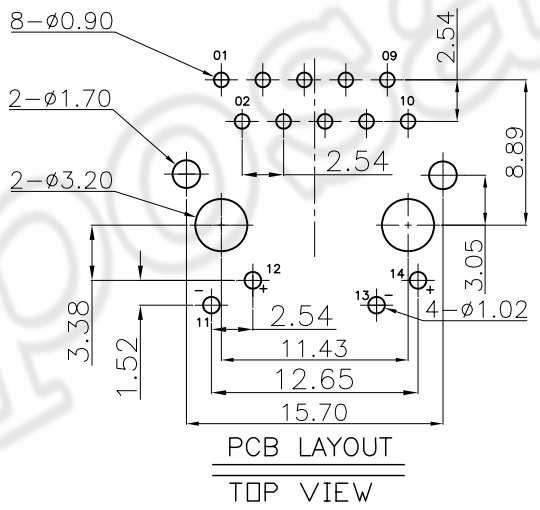
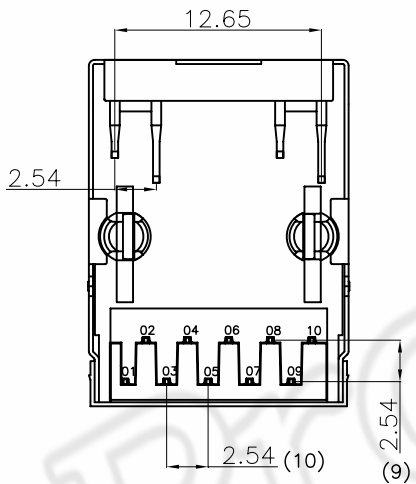
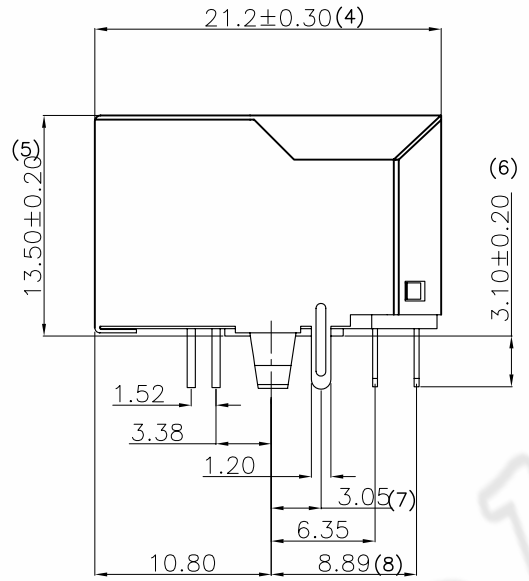
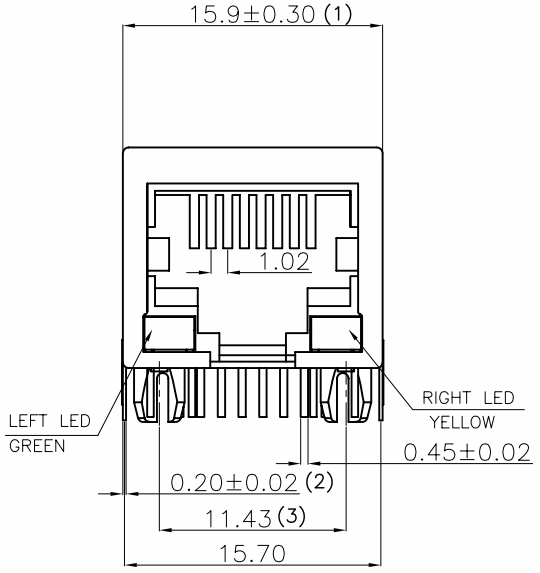


REV	ECN.NO:	BY	DATE
A0	NEW DWG	李占春	11.03.15
A1	取消鐵殼彈片	李占春	11.03.22

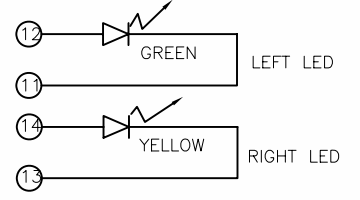


NOTE 1:

1.MATERIALS:
HOUSING:THERMOPLASTIC POLYESTER, BLACK;
RJ CONTACT:PHOSPHOR BRONZE,T=0.35±0.02mm.
JOINT CONTACT:BRASS,T=0.30±0.02mm.
SHELL:BRASS,T=0.20±0.01mm.

2.PLATING:
RJ CONTACTS: SELECT GOLD PLATED OVER NICKEL UNDERPLATED OVERALL
JOINT CONTACTS: TIN PLATED OVER NICKEL UNDERPLATED OVERALL
SHELL: NICKEL UNDERPLATED OVERALL

3.SPECIFICATION:
OPERATING TEMPERATURE : 0°C~+70°C
STORAGE: -40°C~+85°C
DURABILITY: 750 CYCLES MIN
TYPE: BALANCE LOW PASS 100 Ω IMPEDANCE
INSERTION LOSS: 1~100MHz-1.0dB MAX.
RETURN LOSS: 1~30MHz-18dB MIN.
30~60MHz-16dB MIN.
60~80MHz-12dB MIN.
CROSS TALK: @1~100MHz-35dB MIN.
COMMON MODE REJECTION: @1~100 MHz-30dB MIN
INDUCTANCE AT 100KHz 100mV,8mA DC BIAS: 350uH MIN.
HI-POT: 1500Vrms (INPUT TO OUTPUT)



COPLIANCE WITH THE REQUIEMENT RoHS HF SONY00259 OTHER
* NO USING RESTRICTED AND BANNED SUBSTANCE

CUSTOMER DRAWING		LITE Liteconn Co.,Ltd.	
-TOLERANCES- UNLESS OTHERWISE SPECIFIED		TITLE: RJ TRANSFORMER 1000M 單層單PORT 10P8(W/LED)	
X.X	±0.35	X.X*	±3*
X.XX	±0.25	X.XX*	±2*
X.XXX	±0.15	X.XXX*	±1*
APPD:		DWG NO: 12111-042CT024-53R	
CHECK:		DATE	SCALE
DRAW: 李占春		2011.03.15	1:1
		UNIT	PAGE
		MM	1/1