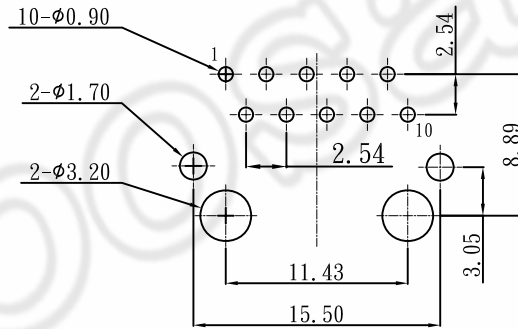
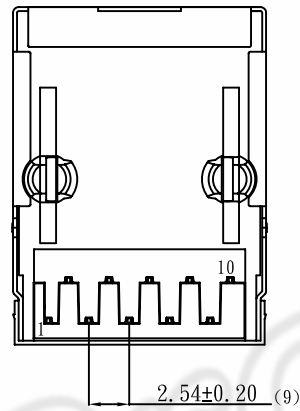
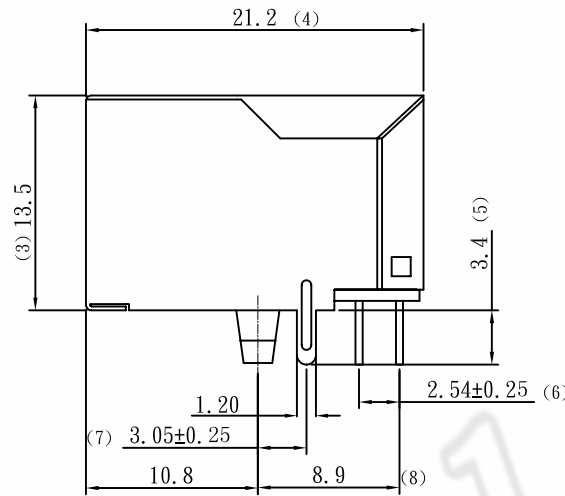
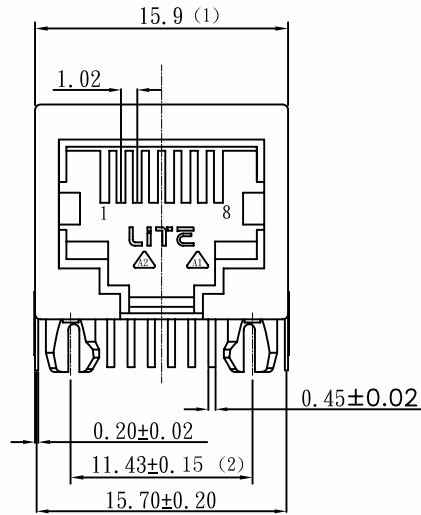
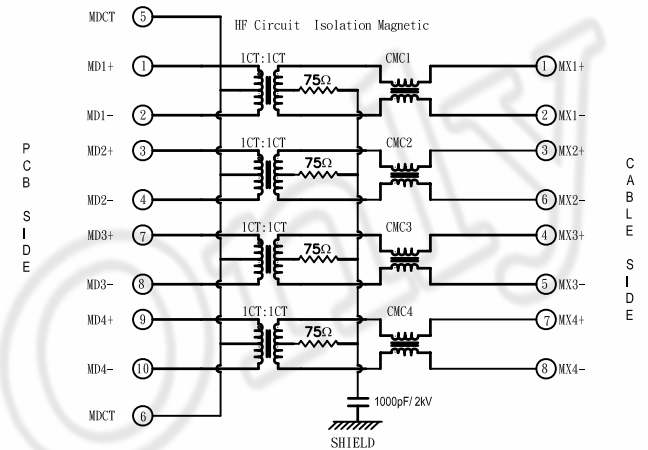
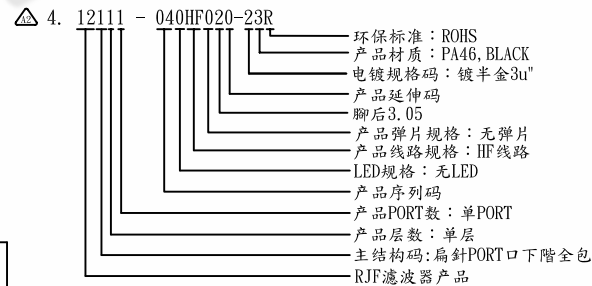


| REV | ECN. NO:        | BY  | DATE     |
|-----|-----------------|-----|----------|
| A0  | NEW DWG         | 曾国胜 | 10.04.15 |
| A1  | 圖面增加LITE Mark標示 | 李占春 | 10.05.08 |
| A2  | ECN. NO:T110611 | 李錦鋒 | 11.06.15 |



PCB LAYOUT  
TOP VIEW



NOTE 1:

1. MATERIALS:

HOUSING: THERMOPLASTIC POLYESTER, Black Color.

RJ CONTACT: COPPER ALLOY, T=0.35±0.02mm.

JOINT CONTACT: COPPER ALLOY, T=0.30±0.02mm.

SHELL: COPPER ALLOY, T=0.20±0.02mm.

2. PLATING:

RJ CONTACTS: SELECT GOLD PLATED OVER NICKEL UNDERPLATED OVERALL

JOINT CONTACTS: TIN PLATED OVER NICKEL UNDERPLATED OVERALL

SHELL: NICKEL UNDERPLATED OVERALL

3. SPECIFICATION:

OPERATING TEMPERATURE : 0°C~+70°C

STORAGE: -40°C~+85°C

DURABILITY: 750 CYCLES MIN

TYPE: BALANCE LOW PASS 100Ω IMPEDANCE

INSERTION LOSS: 1-100MHz-1.0dB MAX.

RETURN LOSS: 1-30MHz-18dB MIN.

30-60MHz-16dB MIN.

60-80MHz-12dB MIN.

80-100MHz-10dB MIN.

CROSS TALK: @1-100MHz-30dB MIN.

COMMON MODE REJECTION: @1-100 MHz-30dB MIN

INDUCTANCE AT 100KHz 100mV, 8mA DC BIAS: 350uH MIN.

HI-POT: 1500Vrms (INPUT TO OUTPUT)

COPLIANCE WITH THE REQUIREMENT  RoHS  HF  SONY00259  OTHER  
 ※ NO USING RESTRICTED AND BANNED SUBSTANCE

| CUSTOMER DRAWING                           |              | LITE LiTECONN Co., Ltd. |   |  |      |
|--|--------------|-------------------------|---|--|------|
| -TOLERANCES-<br>UNLESS OTHERWISE SPECIFIED |              |                         |   | TITLE: RJ TRANSFORMER 1000M<br>單層單PORT10P8全色Tab Down |      |
| X.X ±0.35                                  | X.X° ±3°     | APPD:                   | DWG NO: 12111-040HF020-23R<br>(AAR-RJF-040-001) |  |      |
| X.XX ±0.25                                 | X.XX° ±1°    | CHECK:                  | DATE  | SCALE  | UNIT |
| X.XXX ±0.15                                | X.XXX° ±0.5° | DRAW: 曾国胜               | 10.04.15  | AS SHOW  | MM   |
|  |              |                         |   |  | 1/1  |