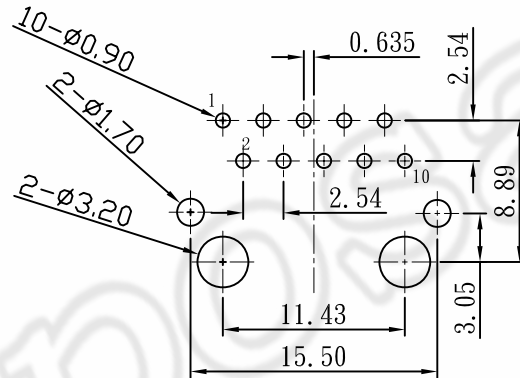
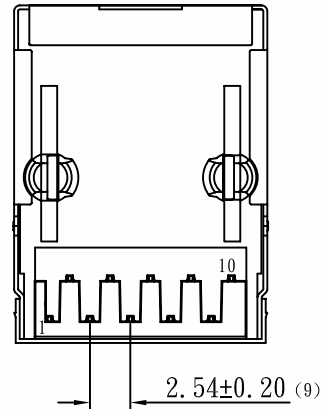
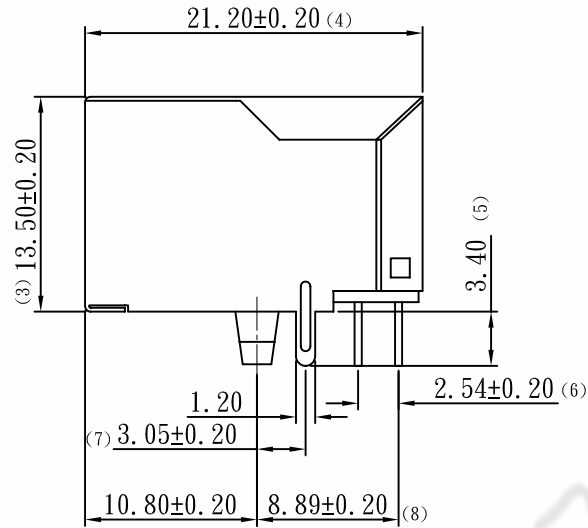
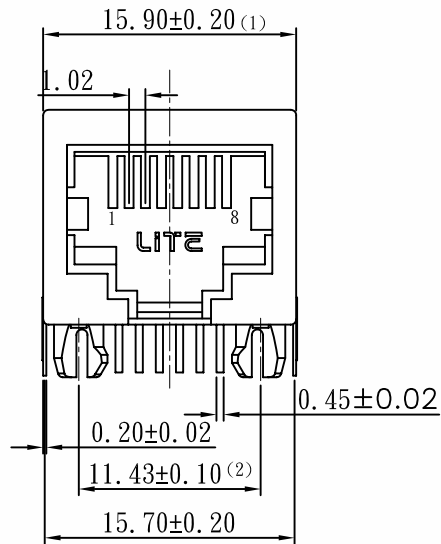


REV	ECN. NO:	BY	DATE
A0	NEW DWG	Joe Chen	11.10.20



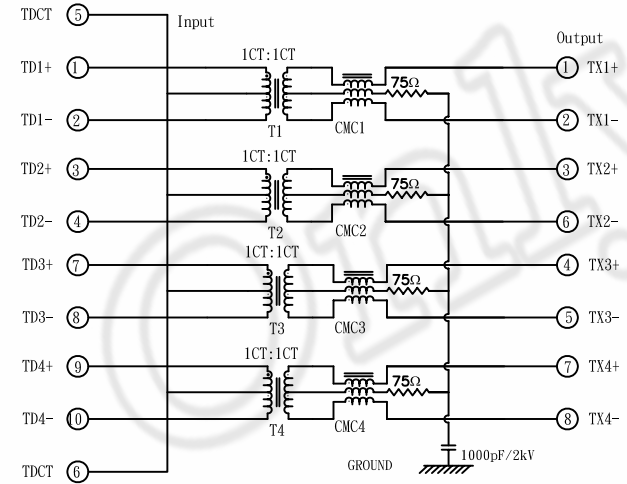
PCB LAYOUT  
TOP VIEW

4. 12111 - 040AH020-23R

- 环保标准: ROHS
- 产品材质: PA46, BLACK
- 电镀规格码: 镀半金3u"
- 产品延伸码
- 脚后3.05
- 产品弹片规格: 无弹片
- 产品线路规格: AH线路
- LED规格: 无LED
- 产品序列码
- 产品PORT数: 单PORT
- 产品层数: 单层
- 主结构码: 扁针PORT口下階全包
- RJF滤波器产品

COMPLIANCE WITH THE REQUIREMENT  RoHS  HF  SONY00259  OTHER  
 ※ NO USING RESTRICTED AND BANNED SUBSTANCE

SCHMATIC  
AH Circuit Isolation Magnetic



NOTE 1:

1. MATERIALS:

HOUSING: THERMOPLASTIC POLYESTER, Black Color.

RJ CONTACT: COPPER ALLOY, T=0.35±0.02mm.

JOINT CONTACT: COPPER ALLOY, T=0.30±0.02mm.

SHELL: COPPER ALLOY, T=0.20±0.02mm.

2. PLATING:

RJ CONTACTS: SELECT GOLD PLATED OVER NICKEL UNDERPLATED OVERALL

JOINT CONTACTS: TIN PLATED OVER NICKEL UNDERPLATED OVERALL

SHELL: NICKEL UNDERPLATED OVERALL

3. SPECIFICATION:

OPERATING TEMPERATURE : 0°C~+70°C

STORAGE: -40°C~+85°C

DURABILITY: 750 CYCLES MIN

TYPE: BALANCE LOW PASS 100 Ω IMPEDANCE

INSERTION LOSS: 1-100MHz-1.0dB MAX.

RETURN LOSS: 1-30MHz-18dB MIN.

30-60MHz-16dB MIN.

60-80MHz-12dB MIN.

CROSS TALK: @1-100MHz-30dB MIN.

COMMON MODE REJECTION: @1-100 MHz-30dB MIN

INDUCTANCE AT 100kHz 100mV, 8mA DC BIAS: 350uH MIN.

HI-POT: 1500Vrms (INPUT TO OUTPUT)

CUSTOMER DRAWING		<b>LITE</b> LiteCONN Co., Ltd.			
-TOLERANCES- UNLESS OTHERWISE SPECIFIED				TITLE: RJ TRANSFORMER 1000M 單層單PORT10P8全色Tab Down	
X.X ±0.35	X.X° ±3°	APPD:	DWG NO: 12111-040AH020-23R		
X.XX ±0.25	X.XX° ±1°	CHECK:	DATE	SCALE	UNIT
X.XXX ±0.15	X.XXX° ±0.5°	DRAW: Joe Chen	11.10.20	AS SHOW	MM
				1/1	