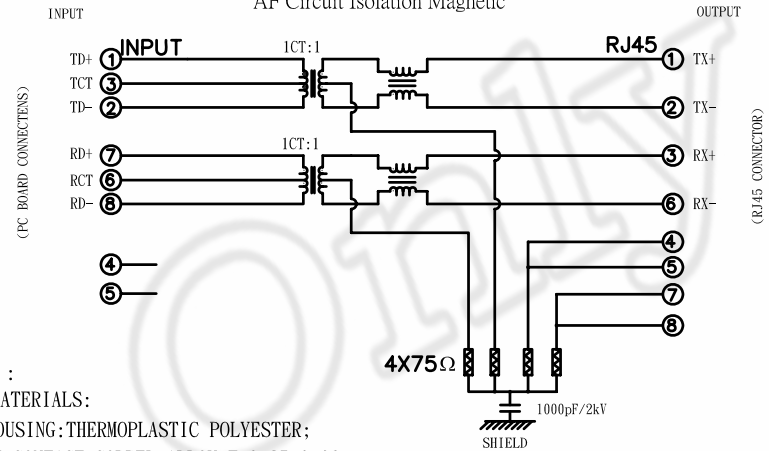


REV	ECN. NO:	BY	DATE
A0	NEW DWG	李占春	11/10/13

SCHMATIC

AF Circuit Isolation Magnetic

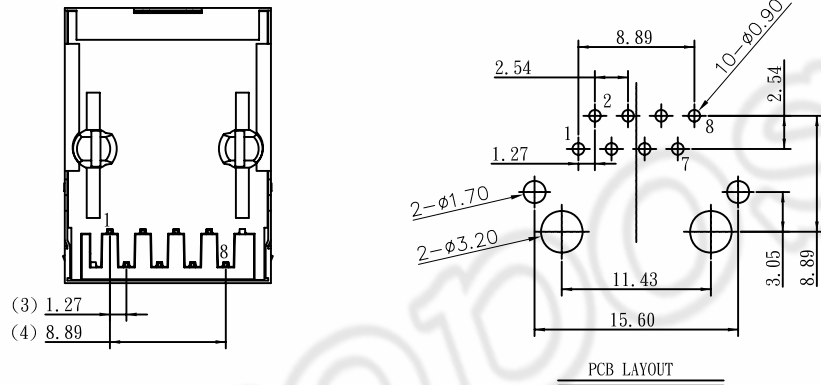
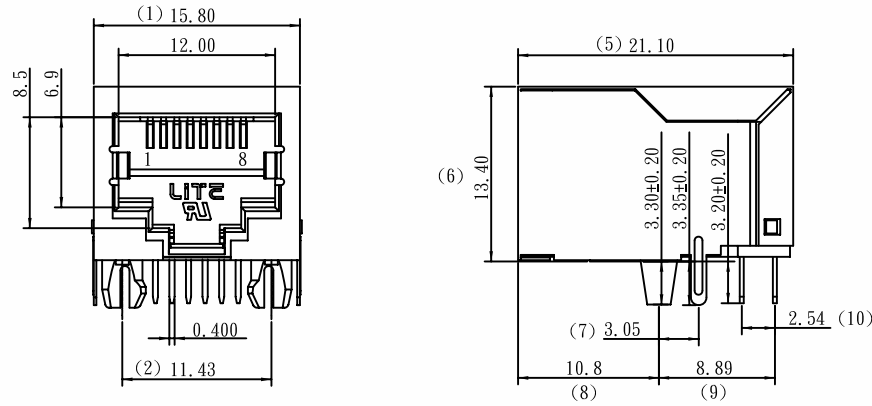


NOTE :

- MATERIALS:
HOUSING: THERMOPLASTIC POLYESTER;
RJ CONTACT: COPPER ALLOY, T=0.35±0.02mm.
JOINT CONTACT: COPPER ALLOY, T=0.30±0.02mm.
SHELL: COPPER ALLOY, T=0.20±0.02mm.
- PLATING:
RJ CONTACTS: SELECT GOLD PLATED OVER NICKEL UNDERPLATED OVERALL
JOINT CONTACTS: TIN PLATED OVER NICKEL UNDERPLATED OVERALL
SHELL: NICKEL UNDERPLATED OVERALL

- SPECIFICATION:
OPERATING TEMPERATURE : 0°C~+70°C
STORAGE: -40°C~+85°C
DURABILITY: 750 CYCLES MIN
TYPE: BALANCE LOW PASS 100 Ω IMPEDANCE
INSERTION LOSS: 1~100MHz-1.0dB MAX.
RETURN LOSS: 1~30MHz-18dB MIN.
30~60MHz-16dB MIN.
60~80MHz-12dB MIN.

CROSS TALK: @1-100MHz-35dB MIN.
COMMON MODE REJECTION: @1-100 MHz-30dB MIN
INDUCTANCE AT 100KHz 100mV, 8mA DC BIAS: 350uH MIN.
HI-POT: 1500Vrms (INPUT P1-P8 TO OUTPUT J1-J8) 1mA



4. 12111 - 010AF021-33R
- 环保标准: ROHS
 - 产品材质: PA46, 黑色
 - 电镀规格码: 镀半金6u"
 - 产品延伸码
 - 脚后3.05
 - 产品弹片规格: 无弹片
 - 产品线路规格: AF线路
 - LED规格: 无LED
 - 产品序列码
 - 产品PORT数: 单PORT
 - 产品层数: 单层
 - 主结构码: 扁针PORT口下階全包
 - RJF滤波器产品

COMPLIANCE WITH THE REQUIREMENT RoHS HF SONY00259 OTHER
 ※ NO USING RESTRICTED AND BANNED SUBSTANCE

CUSTOMER DRAWING		LITE LITECONN Co.,Ltd.	
-TOLERANCES- UNLESS OTHERWISE SPECIFIED		TITLE: RJ TRANSFORMER 10/100 单層 单PORT8P8	
X.X ±0.35	X.X° ±3°	APPD:	DWG NO: 12111-010AF021-33R
X.XX ±0.25	X.XX° ±1°	CHECK:	DATE: 11/10/13
X.XXX ±0.15	X.XXX° ±0.5°	DRAW: 李占春	SCALE: FREE
			UNIT: mm
			PAGE: 1/1