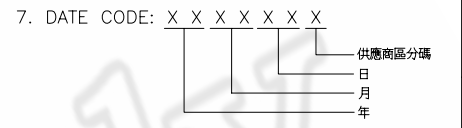
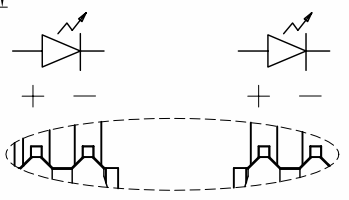
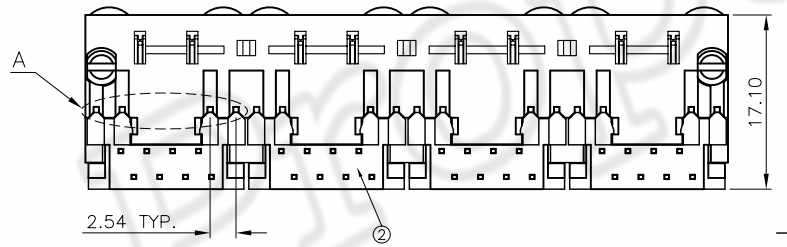
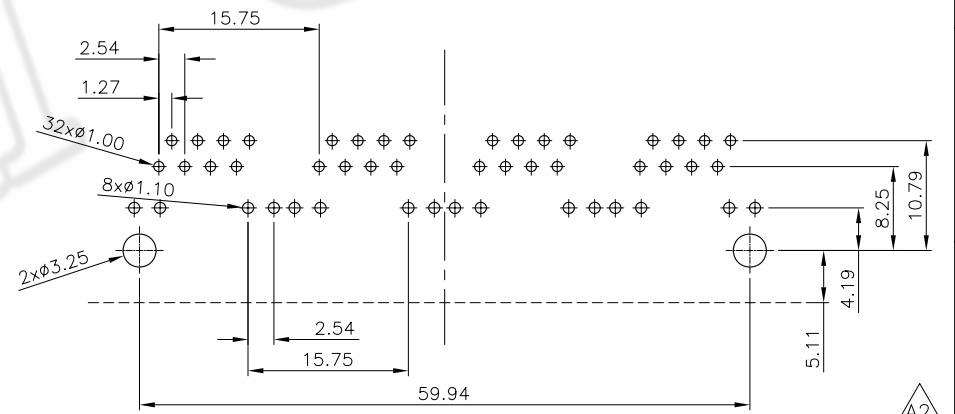
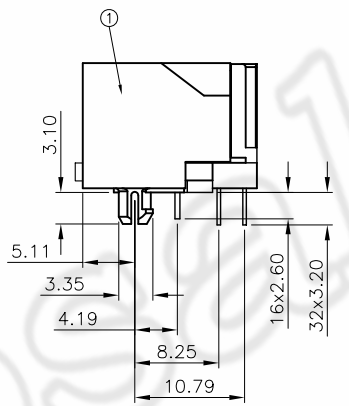
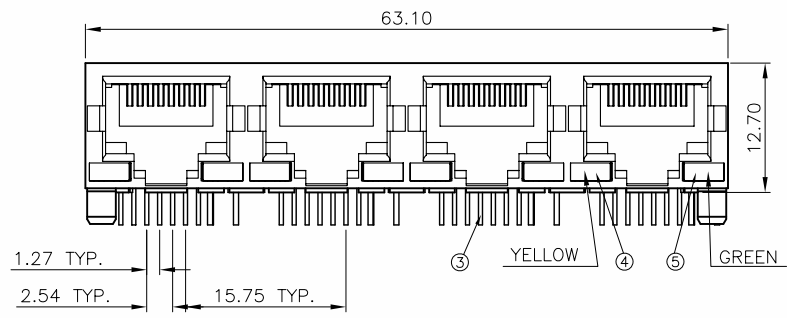
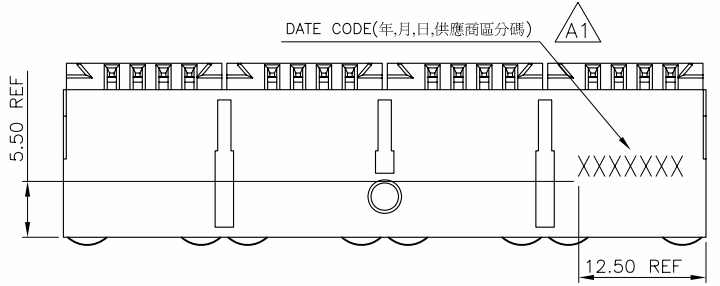


REV	ECN.NO:	BY	DATE
A0	NEW DWG(ECR110359)	譚艷斌	11.03.22
A1	修改DATE CODE(ECR110380)	譚艷斌	11.03.29
A2	更新版次(ECR110835)	譚艷斌	11.08.15

- NOTES:
- MATERIAL:
 - HOUSING/COVER: THERMOPLASTIC, UL94 V-0; COLOR: BLACK
 - CONTACT: BRASS
 - FINISH:
 - CONTACT:
 - GOLD PLATING(SEE PART NO.) ON CONTACT AREA.
 - 3.05um [120u"] MIN. MATTE-TIN PLATING ON SOLDER TAIL AREA.
 - 1.27um [50u"] MIN. NICKEL UNDERPLATING OVERALL.
 - RECOMMENDED P.C.B THICKNESS : 1.6mm
 - OTHER GENERAL SPEC. TO REFER : RJ45 SERIES SPEC.
 - FOR WAVE SOLDERING LEAD-FREE PROCESS
 - PART NO. : 11414-01130000-X X X X



- R: ROHS
COLOR:
1. HOUSING: BLACK
MATERIAL:
3. HOUSING: THERMOPLASTIC
PLATING:
1. CONTACT: Ni 50u",Au G/F,Tin 120u";



NO:	DESCRIPTION	MATERIAL	COLOR	REMARK
5	LED		GREEN	
4	LED		YELLOW	
3	CONTACT	Copper Alloy		GOLD/TIN PLATED
2	BACK PLASTIC	THERMOPLASTIC	BLACK	UL 94V-0
1	HOUSING	THERMOPLASTIC	BLACK	UL 94V-0

CUSTOMER DRAWING		LITE Liteconn Co.,Ltd.			
-TOLERANCES- UNLESS OTHERWISE SPECIFIED		APPD:		TITLE: RJ45 1*4 PORT 扁針 全塑雙燈(左黃右綠)	
X.X ±0.25	X.X* ±3'	CHECK:		DWG NO: 11414-01130000-XXXX	
X.XX ±0.15	X.XX* ±2'	DRAW:		DATE	SCALE
X.XXX ±0.075	X.XXX* ±1'			2011.03.22	1:1
				UNIT	PAGE
				MM	1/1

COPLIANCE WITH THE REQUIEMENT RoHS HF SONY00259 OTHER
 ※ NO USING RESTRICTED AND BANNED SUBSTANCE