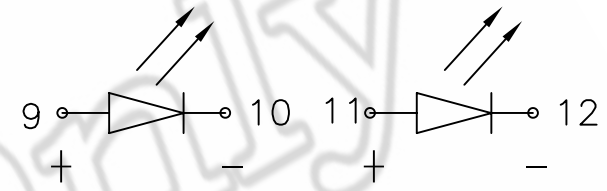
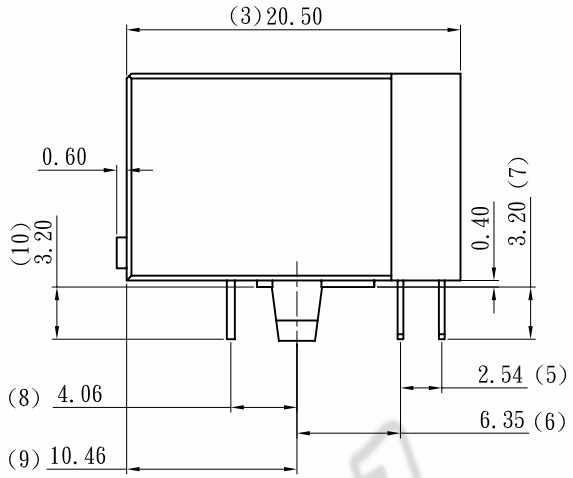
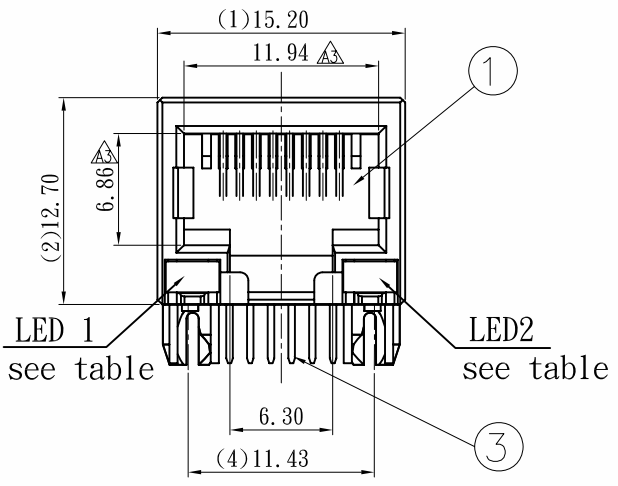
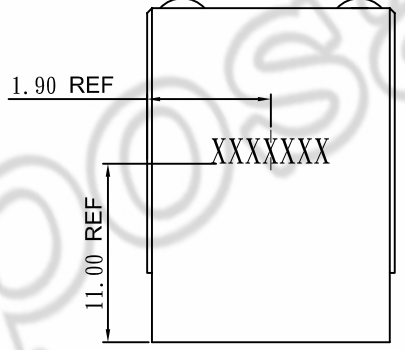
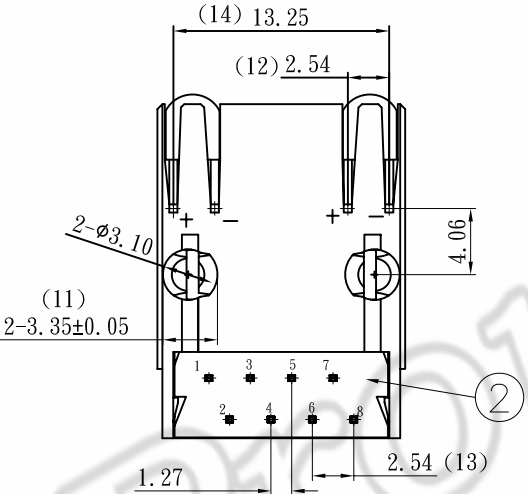


REV	ECN.NO:	BY	DATE
A1	新增DATE\CODE	ch, dong	11.03.25
A2	DATE\CODE由6碼變更為7碼	ch, dong	11.03.29
A3	依據FCC修改PORT口尺寸	ch, dong	11.04.26
A4	增加黃色,冷灰色3U新規格	童懷麗	11.10.21
A5	增加PA66黑新規格,PDR NO TPPDRC11093	童懷麗	11.11.11

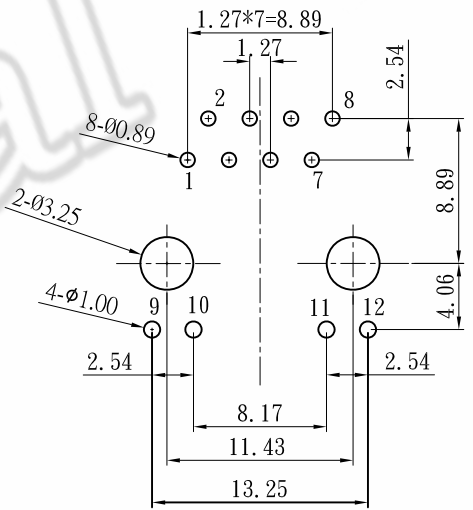


LED顏色示意圖

- NOTES:
- MATERIAL:
 - 1.1 HOUSING: THERMOPLASTIC, UL94 V-0; COLOR: SEE TABLE
 - 1.2 STOPPER: THERMOPLASTIC, UL94 V-0; COLOR: SEE TABLE
 - 1.3 CONTACT: PHOSPHOR BRONZE
 - FINISH:
 - 2.1 CONTACT: GOLD PLATING(SEE PART NO.) ON CONTACT AREA. 3.04um [120u"] MIN. BRIGHT-TIN PLATING ON SOLDER TAIL AREA. 1.27um [50u"] MIN. NICKEL UNDER PLATING OVERALL.
 - RECOMMENDED P.C.B THICKNESS : 1.6mm
 - OTHER GENERAL SPEC. TO REFER : RJ45 SERIES SPEC.
 - FOR WAVE SOLDERING LEAD-FREE PROCESS
 - PART NO. : 11411-02230000-XXXX



DATE/CODE (SEE NOTES)



RECOMMENDED PCB LAYOUT
TOP VIEW

7. Date/Code (XX XX XX Y) 供應商區分碼
日
月
年
- R: RoHS
 - COLOR:
 - 1.HOUSING:BLACK
 - 3.HOUSING:YELLOW
 - 6. HOUSING:冷灰色3U
 - MATERIAL:
 - 3.HOUSING:PA46
 - 1.HOUSING:PA66
 - PLATING:
 - 1.CONTACT:Ni 50u" Au 1u" Tin 120u"
 - 3.CONTACT:Ni 50u" Au 6u" Tin 120u"

TABLE:

NO:	PART NO:	PLATING	MATERIAL	COLOR	ENVIRONMENTAL	LED 1	LED 2
6	11411-02230000-311R	Au6u"	PA66	BLACK	RoHS	GREEN	YELLOW
5	11411-02230000-316R	Au6u"	PA66	冷灰色3U	RoHS	GREEN	YELLOW
4	11411-02230000-116R	Au1u"	PA66	冷灰色3U	RoHS	GREEN	YELLOW
3	11411-02230000-313R	Au6u"	PA66	YELLOW	RoHS	GREEN	YELLOW
2	11411-02230000-113R	Au1u"	PA66	YELLOW	RoHS	GREEN	YELLOW
1	11411-02230000-131R	Au1u"	PA46	BLACK	RoHS	YELLOW	GREEN

COPLIANCE WITH THE REQUIEMENT RoHS HF SONY00259 OTHER
 ※ NO USING RESTRICTED AND BANNED SUBSTANCE

3	CONTACT	Copper Alloy		GOLD/TIN PLATED
2	STOPPER	THERMOPLASTIC	SEE TABLE	UL 94V-0
1	HOUSING	THERMOPLASTIC	SEE TABLE	UL 94V-0
NO:	DESCRIPTION	MATERIAL	COLOR	REMARK

CUSTOMER DRAWING		LITE Liteconn Co.,Ltd.			
-TOLERANCES- UNLESS OTHERWISE SPECIFIED		TITLE: RJ45單層單PORT8P8C 全塑扁針帶LED燈			
X.X ±0.25	X.X* ±3*	APPD:	DWG NO: 11411-02230000-XXXX		
X.XX ±0.15	X.XX* ±2*	CHECK:	DATE	SCALE	UNIT PAGE
X.XXX ±0.075	X.XXX* ±1*	DRAW: 童懷麗		1:1	MM 1/1