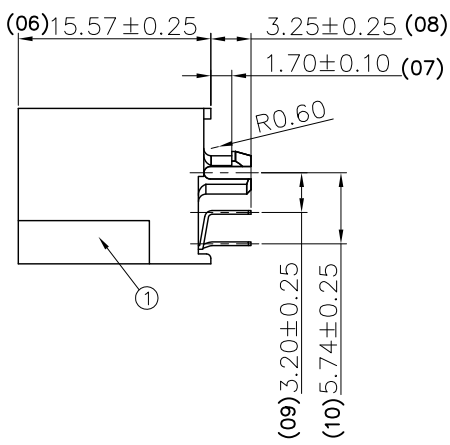
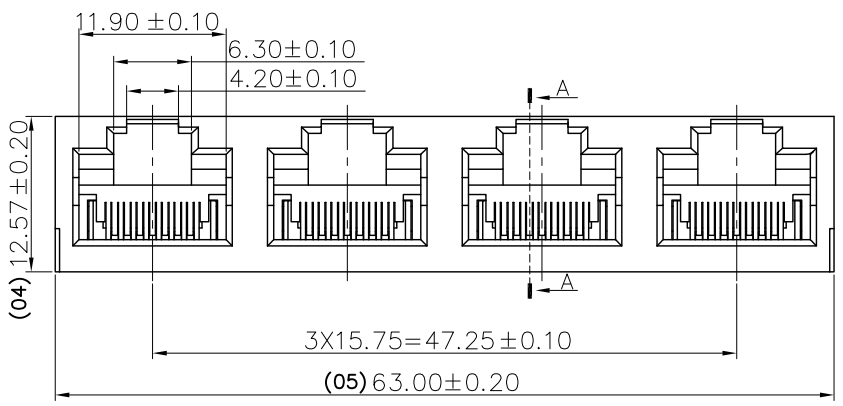
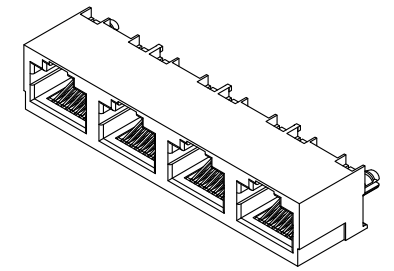
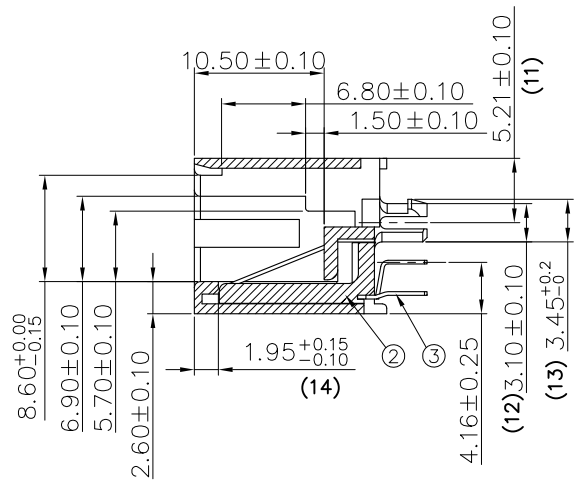
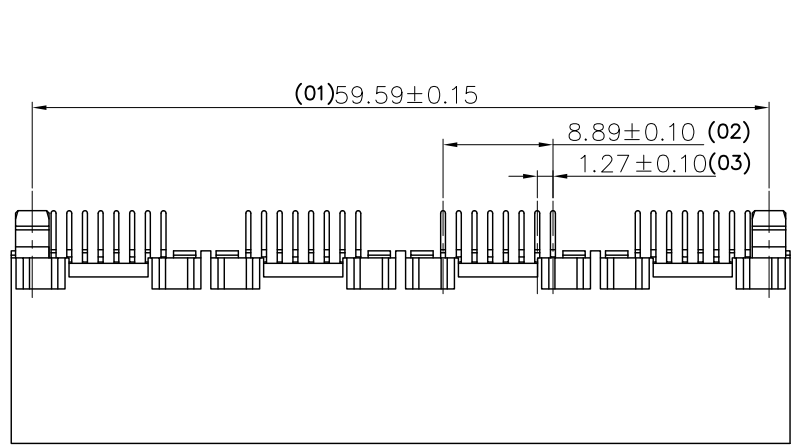
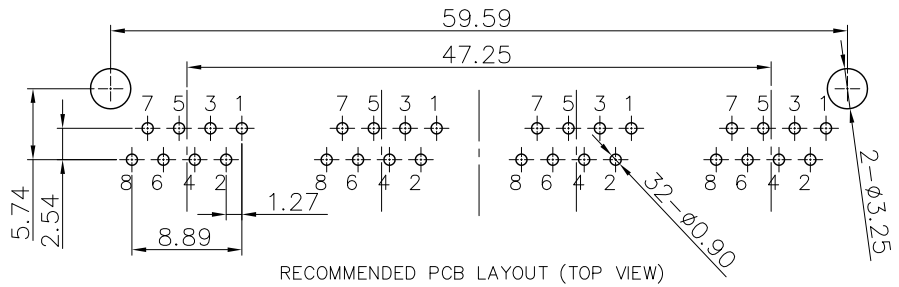


REV	ECN.NO:	BY	DATE
A0	NEW DWG	曾建根	11.04.07
A1	新增規格(ECR110640)	譚艷斌	11.06.27



- NOTES:
- MATERIAL:
 - HOUSING: THERMOPLASTIC UL94 V-0; COLOR: SEE TABLE
 - CONTACT: PHOSPHOR BRONZE
 - FINISH:
 - CONTACT:
 - GOLD PLATING(SEE TABLE) ON CONTACT AREA.
 - 2.54um [100u"] MIN. BRIGHT-TIN PLATING ON SOLDER TAIL AREA.
 - 1.27um [50u"] MIN. NICKEL UNDERPLATING OVERALL.
 - RECOMMENDED P.C.B THICKNESS : 1.6mm
 - OTHER GENERAL SPEC. TO REFER : RJ45 SERIES SPEC.
 - FOR WAVE SOLDERING LEAD-FREE PROCESS
 - PART NO. : 10414-02210000- X X X X

- R: ROHS
 3: COLOR: YELLOW(114C)
 C: COLOR: YELLOW(114C)FOR 暫務
 MATERIAL:
 2. HOUSING & BACK PLASTIC: THERMOPLASTIC
 PLATING:
 1. CONTACT: Ni 50u", Au 1u", Tin 100u";
 2. CONTACT: Ni 50u", Au 3u", Tin 100u";



RECOMMENDED PCB LAYOUT (TOP VIEW)
 (ALL TOLERANCES ARE ±0.05)

NO:	PART NO:	PLATING	MATERIAL	COLOR	ENVIRONMENTAL
3	10414-02210000-12CR	Au1u"	THERMOPLASTIC	YELLOW(114C) FOR 暫務	RoHS
2	10414-02210000-22CR	Au3u"	THERMOPLASTIC	YELLOW(114C) FOR 暫務	RoHS
1	10414-02210000-223R	Au3u"	THERMOPLASTIC	YELLOW(114C)	RoHS

COPLIANCE WITH THE REQUIREMENT RoHS HF SONY00259 OTHER
 ※ NO USING RESTRICTED AND BANNED SUBSTANCE

NO:	DESCRIPTION	MATERIAL	COLOR	REMARK
3	CONTACT	Copper Alloy		GOLD/TIN PLATED
2	BACK PLASTIC	THERMOPLASTIC	SEE TABLE	UL 94V-0
1	HOUSING	THERMOPLASTIC	SEE TABLE	UL 94V-0

CUSTOMER DRAWING		LITE Liteconn Co.,Ltd.			
-TOLERANCES- UNLESS OTHERWISE SPECIFIED		TITLE: RJ45單層4PORT8P8 全塑 180度扁針			
X.X ±0.35	X.X* ±3*	APPD:	DWG NO: 10414-02210000- XXXX		
X.XX ±0.25	X.XX* ±2*	CHECK:	DATE	SCALE	UNIT
X.XXX ±0.15	X.XXX* ±1*	DRAW:	2011.04.07	1:1	MM
				PAGE	1/1