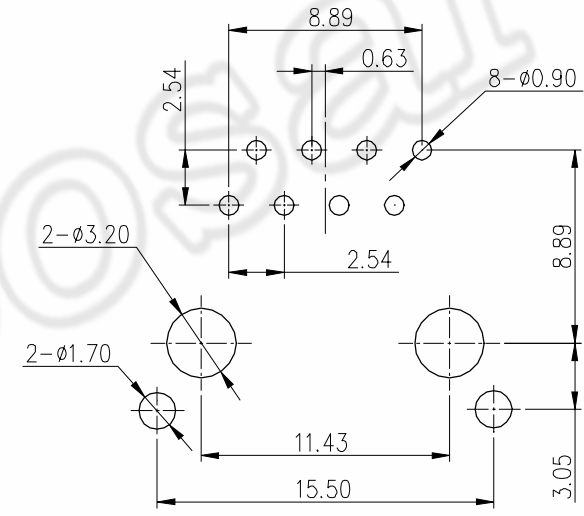
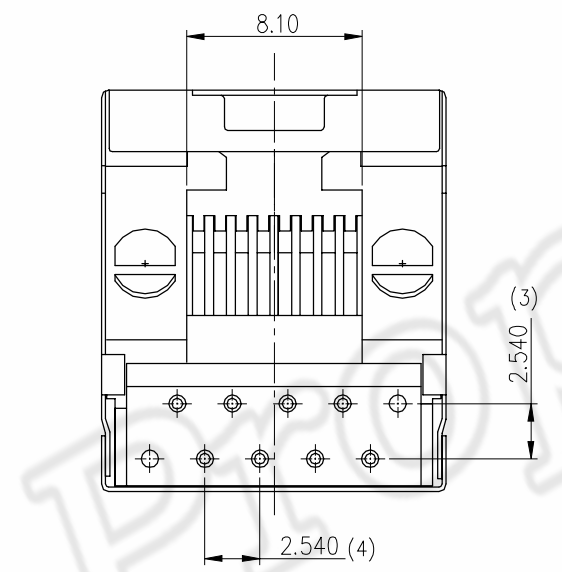
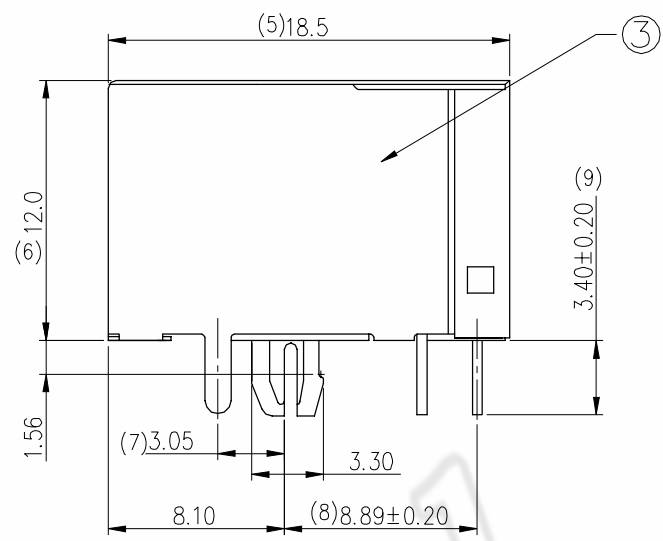
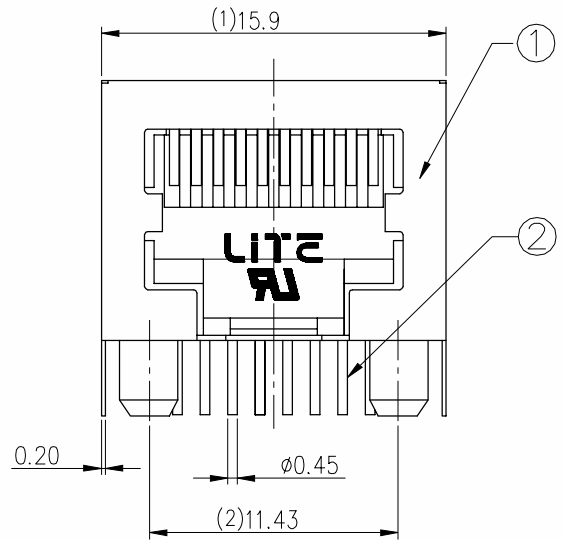


REV	ECN.NO:	BY	DATE
	NEW DWG	莊東	10.10.25



NOTES:

- MATERIAL:
 - HOUSING & COVER: HIGH TEMPERATURE THERMOPLASTIC WITH 30% G.F., UL94 V-0; COLOR: SEE NOTES 6
 - CONTACT: COPPER ALLOY $\phi 0.45$ mm
 - SHELL: COPPER ALLOY
- FINISH:
 - CONTACT: GOLD PLATING (SEE TABLE)
 - SHELL: 1.27 μ m [50u"] MIN. NICKEL UNDERPLATED OVERALL.
- RECOMMENDED P.C.B THICKNESS : 1.6mm
- OTHER GENERAL SPEC. TO REFER : RJ45 SERIES SPEC.
- FOR WAVE SOLDERING LEAD-FREE PROCESS
- 10111-03122011-X X X X
 - R: ROHS
 - COLOR:
 - BLACK
 - MATERIAL:
 - PA66,
 - PLATING:
 - Au 3u"
 - Au 1u"

3	SHELL	SEE PART DRAWING	TIN PLATED	
2	CONTACT	SEE PART DRAWING	GOLD/TIN PLATED	
1	HOUSING	SEE PART DRAWING	UL 94V-0	
NO:	DESCRIPTION	MATERIAL	COLOR	REMARK

TABLE

2	10111-03122011-211R	Au3u"	PA66	BLACK	RoHS
1	10111-03122011-111R	Au1u"	PA66	BLACK	RoHS
NO:	PART NO:	PLATING	MATERIAL	COLOR	ENVIRONMENTAL

COPLIANCE WITH THE REQUIEMENT RoHS HF SONY00259 OTHER
 ※ NO USING RESTRICTED AND BANNED SUBSTANCE

CUSTOMER DRAWING		LITE Liteconn Co.,Ltd.	
-TOLERANCES- UNLESS OTHERWISE SPECIFIED		TITLE: RJ45 單層單PORT 10P8 全包腳前3.05圓針	
X.X ±0.35	X.X* ±3*	APPD:	DWG NO: 10111-03122011-XXXX
X.XX ±0.25	X.XX* ±2*	CHECK:	DATE: 2010.10.25
X.XXX ±0.15	X.XXX* ±1*	DRAW: 莊東	SCALE: 1:1
			UNIT: MM
			PAGE: 1/1