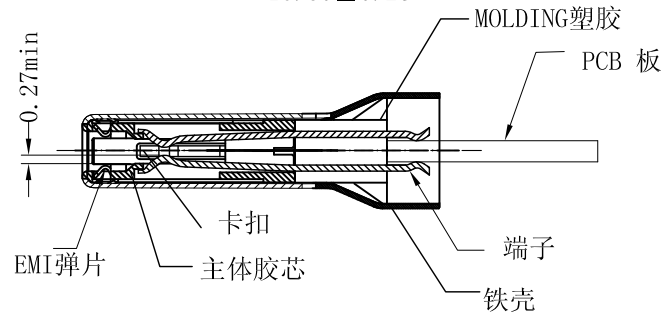
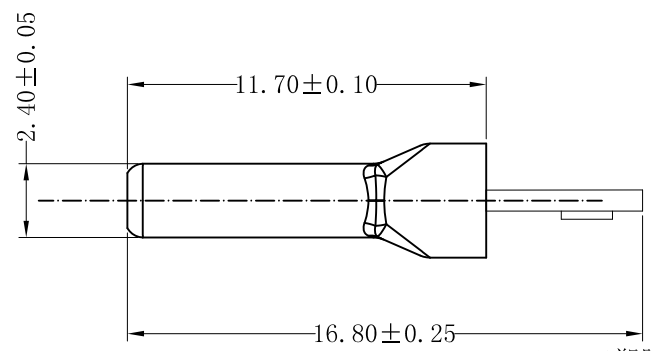
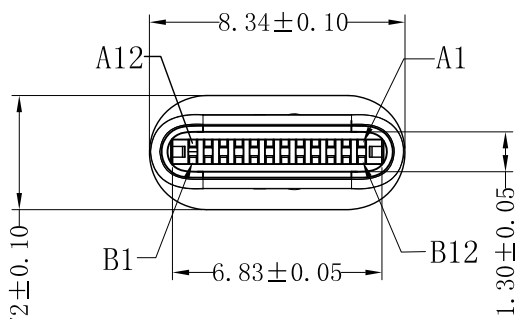
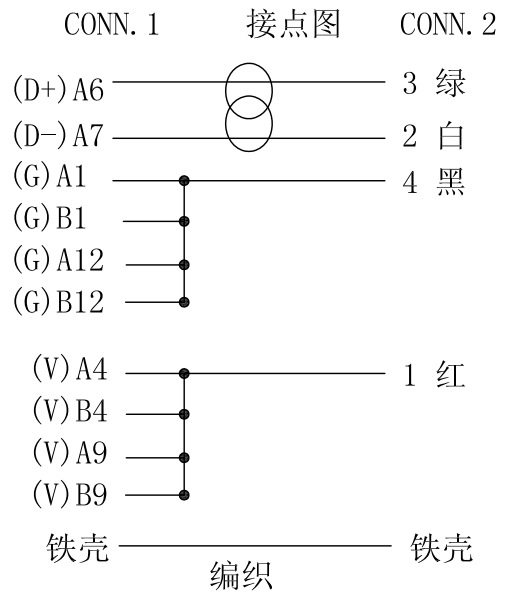
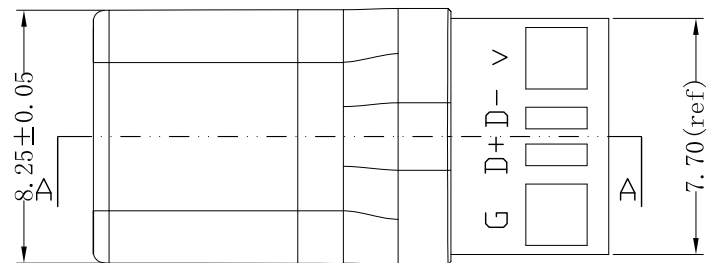


REV	ECN. NO:	BY	DATE
A01	NEW DRAWING	Tonghuaili	2016.03.01

5. PART NO. :141624-059X- X X X

- R: RoHS & TRAY
- Q. LCP 本色
- 5. LCP 黑色
- PLATING:
- 9. CONTACT: 10u", SHELL: Ni
- F: CONTACT: 10u", SHELL: Au
- 电阻:
- 1: 5.1KΩ;
- 2: 10KΩ;
- 3: 22KΩ;
- 4: 56KΩ;



NOTES:

1. 材質: shell-不锈钢 ; housing-LCP; contact-铜合金;卡扣: SUS304 ;弹片: SUS304
2. 主要特性:
- 2.1 额定电流: 3A
- 2.2 接触阻抗: 30mΩ MAX
- 2.3 绝缘阻抗: 100MΩ MIN 250V DC
- 2.4 耐压测试: 250V AC
- 2.5 沾锡性: 温度250±5℃, 时间5±0.5s
- 2.6 整体插入力: 3.57kgf MAX
- 整体拔出力: 1.02kgf MIN
3. 未标注公差尺寸請参照公差表
4. 本產品環境管理物質含量需符合歐盟 ROHS指令

COPLIANCE WITH THE REQUIEMENT RoHS HF SONY00259 OTHER
 ※ NO USING RESTRICTED AND BANNED SUBSTANCE

CUSTOMER DRAWING		LITE Liteconn Co.,Ltd.			
-TOLERANCES- UNLESS OTHERWISE SPECIFIED		TITLE: USB C TYPE FOR USB2.0			
X. X ±0.35	X. X° ±3°	APPD:	DWG NO: 141624-059X-XXX		
X. XX ±0.25	X. XX° ±2°	CHECK:	DATE	SCALE	UNIT
X. XXX ±0.15	X. XXX° ±1°	DRAW: Tonghuaili	2016.03.01	1:1	MM
					PAGE 1/1