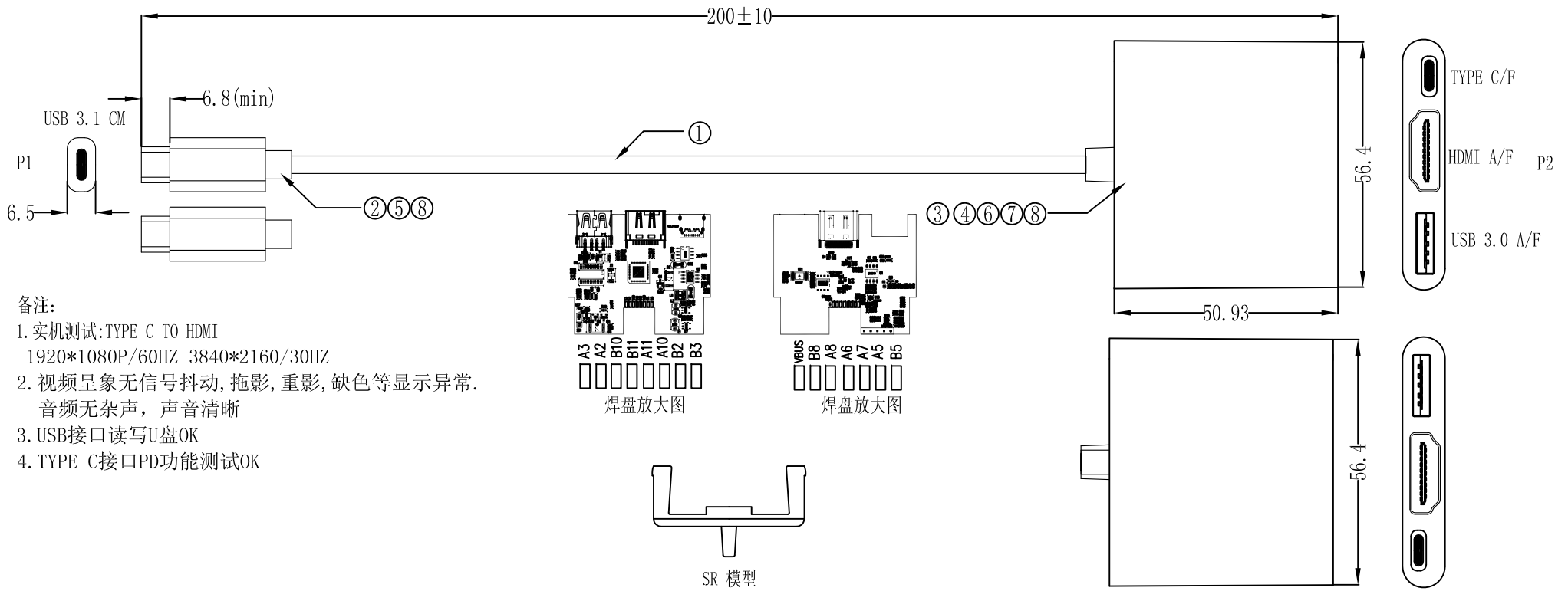
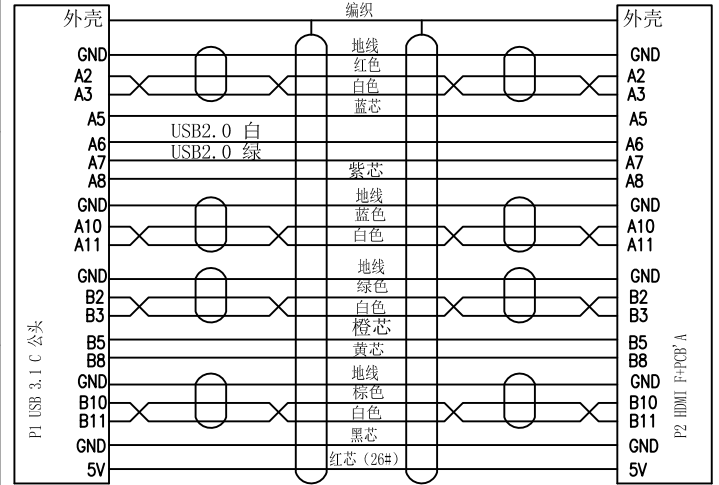
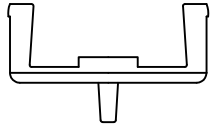
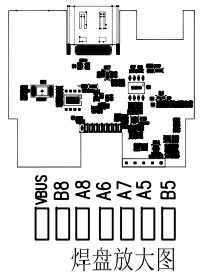
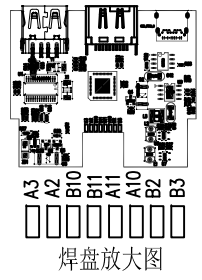


|     |             |            |            |
|-----|-------------|------------|------------|
| REV | ECN.NO:     | BY         | DATE       |
| A01 | NEW DRAWING | Tonghuaili | 2016.07.22 |



- 备注:
1. 实机测试:TYPE C TO HDMI  
1920\*1080P/60HZ 3840\*2160/30HZ
  2. 视频呈象无信号抖动,拖影,重影,缺色等显示异常.  
音频无杂声,声音清晰
  3. USB接口读写U盘OK
  4. TYPE C接口PD功能测试OK



|    |      |  |     |    |
|----|------|--|-----|----|
| 8  | 外模料  | 白色PVC 45P  | A/R |    |
| 7  | 塑壳   | USB 3.1CM TO USBAF+HDMI+TYPE F 银色铝壳 后挡板  | 1   |    |
| 6  | 塑壳   | USB 3.1CM TO USBAF+HDMI+TYPE F 白色塑壳 前挡板  | 1   |    |
| 5  | 铅壳   | USB3.1 CM:一体式银色铝壳 L20*W12.3mm 一边内壁倒角   | 1   |    |
| 4  | 铅壳   | USB 3.1CM TO USBAF+HDMI+TYPE F 银色铝壳 L51*W58.3*H11mm                                | 1   |    |
| 3  | PCBA | TYPE C TO VGA F+TYPE C(沉板)+USB 3.0(沉板) 端子G/F,外壳镀镍,蓝胶芯                              | 1   |    |
| 2  | 插头   | TYPE C/M 夹PCB(C TO C PCB无元件)端子G/F,铁壳镀镍(拉伸),黑胶芯                                     | 1   |    |
| 1  | 线材   | USB3.1 (#34*1P+D+AL+MY)*4C+#34*4C+#32*1P+#24*2C+AB铜编PVC白色外被 OD4.0MM裁线: L=320MM(双倍) | 1   |    |
| 序号 | 名称   | 说明   | 用量  | 备注 |

COPLIANCE WITH THE REQUIEMENT  RoHS  HF  SONY00259  OTHER  
 ※ NO USING RESTRICTED AND BANNED SUBSTANCE

|                            |       |   |            |
|----------------------------|-------|---|------------|
| CUSTOMER DRAWING           |       | <b>LITE</b> Liteconn Co.,Ltd.               |            |
| -TOLERANCES-               |       | TITLE:<br>USB 3.1 CM TO HDMI+TYPE C+USB3.0  |            |
| UNLESS OTHERWISE SPECIFIED |       | DWG NO:<br>USB 3.1 CM TO HDMI+TYPE C+USB3.0 |            |
| X.X                        | ±0.35 | X.X*  | ±2*        |
| X.XX                       | ±0.25 | X.XX*                                       | ±1*        |
| X.XXX                      | ±0.15 | X.XXX*                                      | ±0.5*      |
| APPD:                      |       | DATE  | SCALE      |
| CHECK:                     |       | UNIT  | PAGE       |
| DRAW: Tonghuaili           |       | 2016.07.22                                  | 1:1 MM 1/1 |